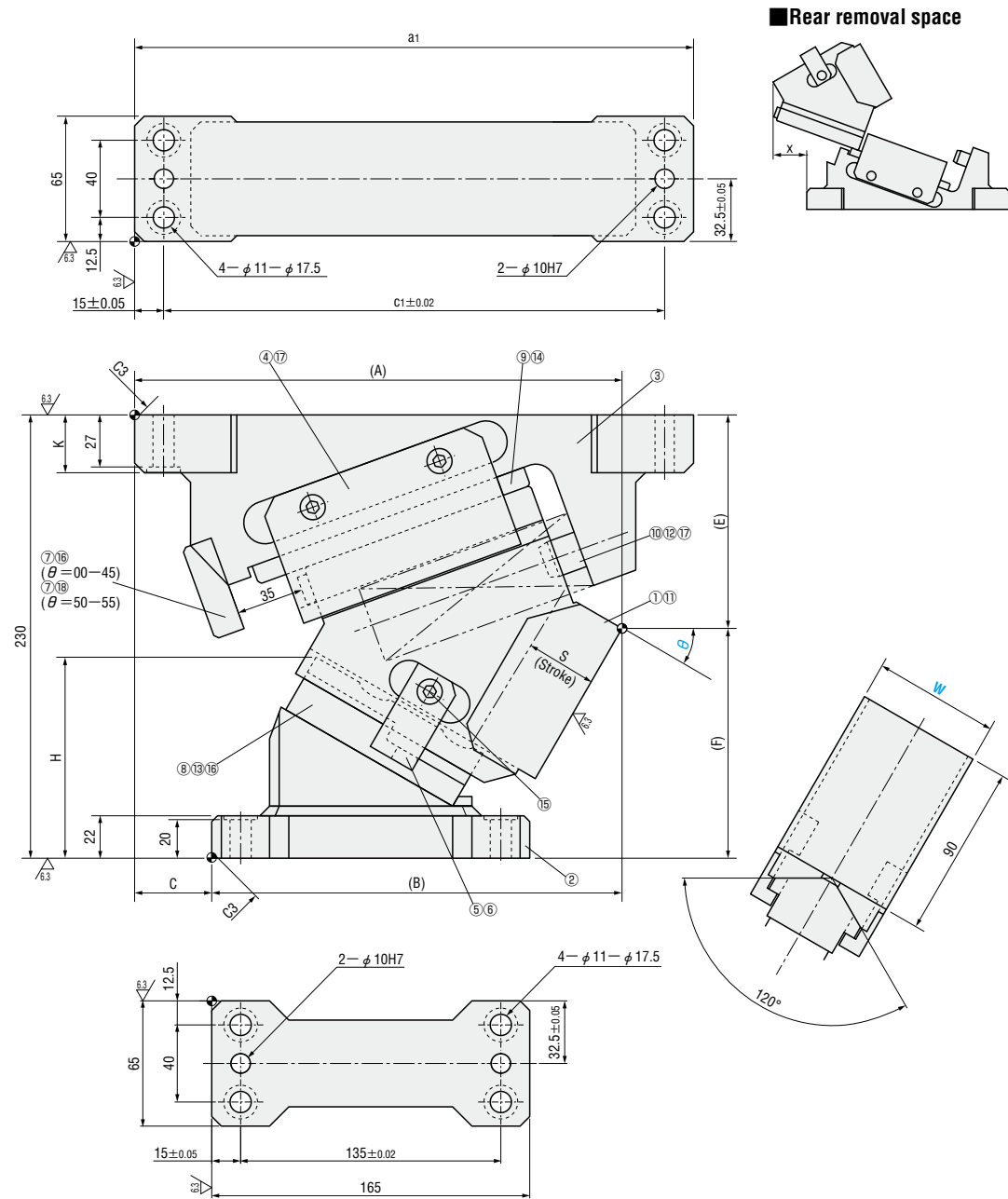


FLYING CAM UNITS FOR HEAVY LOAD PIERCE

— MGFVH · MEVHN —



— With automatic alignment — **MGFVH65 (θ=00-55)**
 — Without automatic alignment — **MEVHN65 (θ=00-55)**
 (Economy type)



■ Components table P.1232

W	θ	A	B	C	E	F	H	K	a1	c1	x
65	00	255	160	95	79.2	150.8	58.5	30	275	245	0
	05	265.68	170.68		82.29	147.71	67.1				
	10	256.04	181.04		86.29	143.71	75.4				
	15	266.02	191.02	91.18	138.82	83.3					
	20	255.53	195.53	96.93	133.07	90.8					
	25	264.51	204.51	103.48	126.52	97.8					
	30	252.88	212.88	110.79	119.21	104.3	290	260	48		
	35	260.58	220.58	118.8	111.2	110.2					
	40	242.56	222.56	122.45	107.55	120.4					
	45	248.75	228.75	131.67	98.33	125					
	50	236.28	236.28	125.98	104.02	148.1					
	55	240.78	240.78	136.14	93.86	153.1					

Slide Stroke S	Working force KN (tonf)		Spring load N (kgf)			Total weight kg	Catalog No.	W	θ
	Standard working force	Max. working force	Preload	5mm before bottom dead center	Max. load				
22.5	68.6 (7.0)	137.3 (14.0)	0 (0.0)	4654(474.6)	5989 (610.7)	18.4	— With automatic alignment — MGFVH — Without automatic alignment — MEVHN (Economy type)	65	00
22.6				4671(476.3)		18.6			05
27.2				4893(499.0)		17.4			10
27.8				4911(500.7)		17.5			15
32.3				5065(516.4)		16.6			20
33.4				5099(519.9)		16.8			25
38.0				5201(530.4)		16.9			30
40.2				5236(533.9)		17.0			35
45.0				5321(542.6)		16.4			40
48.7				5373(547.8)		16.6			45
54.5				5441(554.8)		15.9			50
61.0				5492(560.1)		16.1			55

Order **Catalog No.** **MGFVH** **W** **65** — **θ** **10**

Days to Ship **Quotation**

Price **Quotation**