

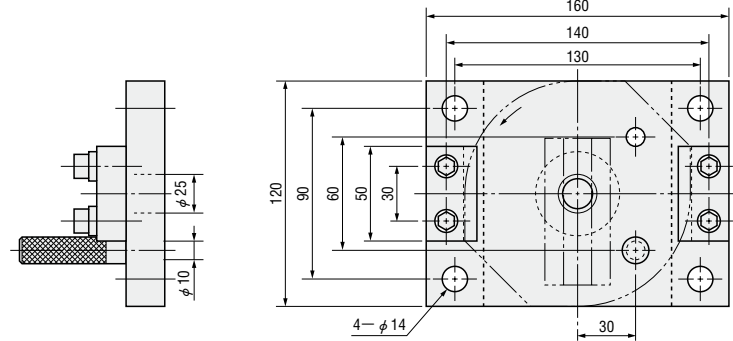
# ROTARY JOINTS / CONNECTOR PLATES

— FOR PUSHER SPRING HEAD INSTALLATION —

## ROTARY JOINTS

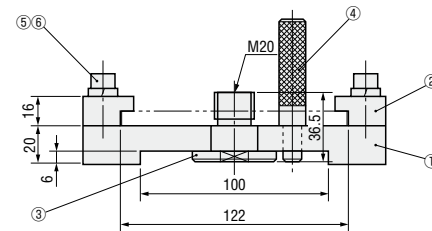


PKAD (Standard type)



### Components list

No.	Name	Qty.	Material & remarks
①	Baseplate	1	Equivalent to SS400
②	Side guide rail	2	Equivalent to SS400
③	Pivot pin	1	S45C
④	Dowel pin	1	S45C
⑤	Hexagon socket head cap bolt	4	M8×35
⑥	Spring washer	4	For M8



Order

Catalog No.  
PKAD



Days to Ship

Quotation

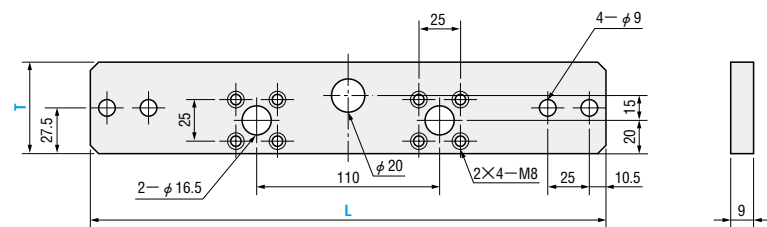


Price

Quotation

## CONNECTOR PLATES

TFPB (For DABP, P.1129)



SS400

Catalog No.	T	L 1mm increment
TFPB	55	250~600



Order

Catalog No. T L  
TFPB 55 255



Days to Ship

Quotation



Price

Quotation



CONVEYANCE COMPONENTS  
FOR AUTOMOTIVES