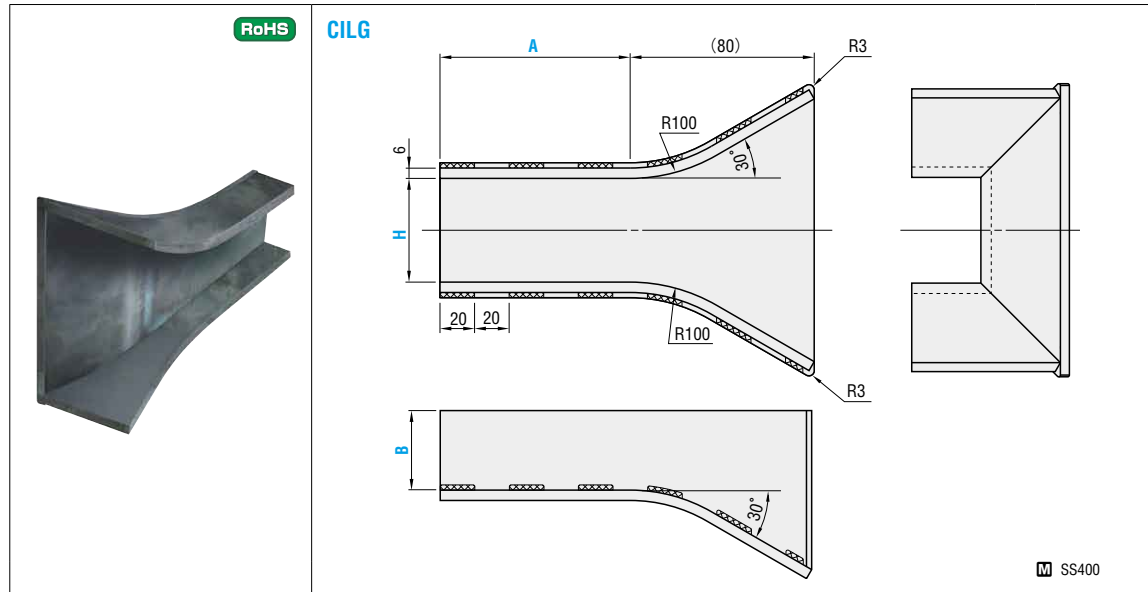


COILED MATERIAL GUIDES

MATERIAL GUIDES



Catalog No.		A	B	H
Type				
CILG	60	40	60	30
	70			50
	80			60
	90			50
	110			60

P Price **Quotation**

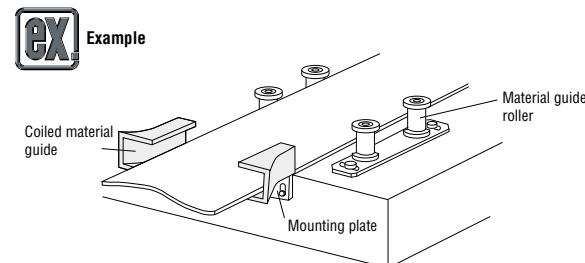
Catalog No.		A	B	H	Base unit price 1~10 pieces
Type					
CILG	60	40	60	30	
				50	
				60	
	70	40	60	30	
				50	
				60	
	80	40	60	30	
				50	
				60	
	90	40	60	30	
				50	
				60	
	100	40	60	30	
				50	
				60	
110	40	60	30		
			50		
			60		

Order Catalog No. — B — H
CILG-100 — 60 — 50

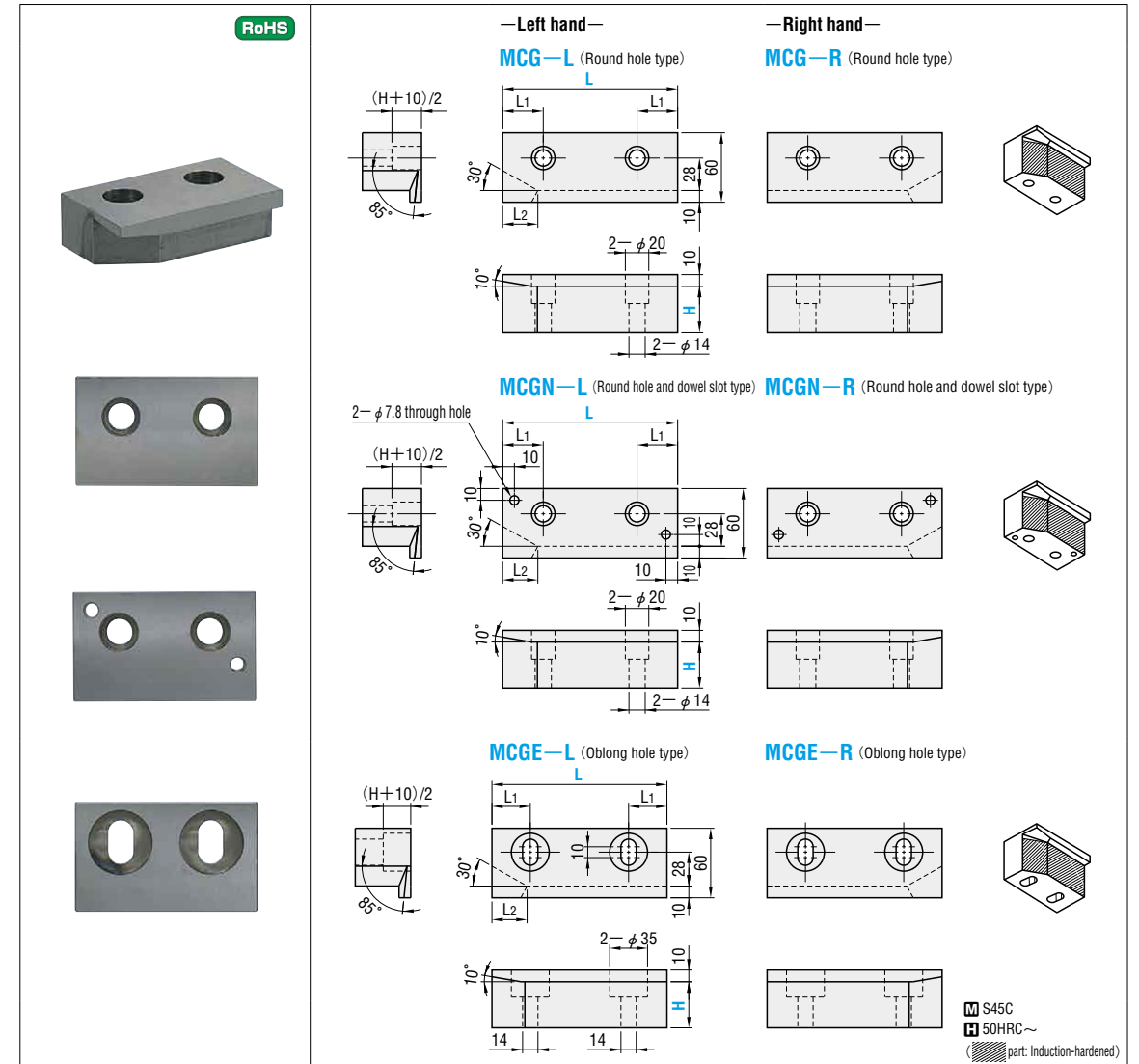
Days to Ship **Quotation**

Alterations Catalog No. — B — H — (AC)
CILG-100 — 60 — 60 — AC95

Alteration	Code	Spec.	1Code
	AC	Dimension A change 5mm increments 60 < AC < 110	Quotation



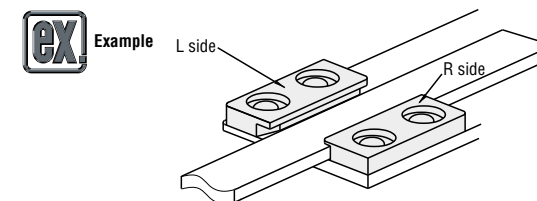
- Features**
- This flared guide for feed of coiled materials allows the materials to be fed smoothly, without running up on the guides due to warpage or meandering.
 - Because there is a large amount of freedom when determining the mounting position, these products are compatible with a broad range of material sizes.
 - ※Mount these guides by means of angle stays, mounting plates, or similar means.



L1	L2	Catalog No.		L	H
		Type	Mounting direction	10mm increments	10mm increments
25	30	MCG	R	100	20~70
35		MCGN	L	150	
		MCGE			

Order Catalog No. — L — H
MCG-R — 100 — 50

Days to Ship **Quotation**



P Price **Quotation**

Type	H	Base unit price 1~19 pieces	
		L100	L150
MCG-L MCG-R	20		
	30		
	40		
	50		
	60		
MCGN-L MCGN-R	20		
	30		
	40		
	50		
	60		
MCGE-L MCGE-R	20		
	30		
	40		
	50		
	60		

Quotation

CONVENIENCE COMPONENTS FOR AUTOMOTIVES