
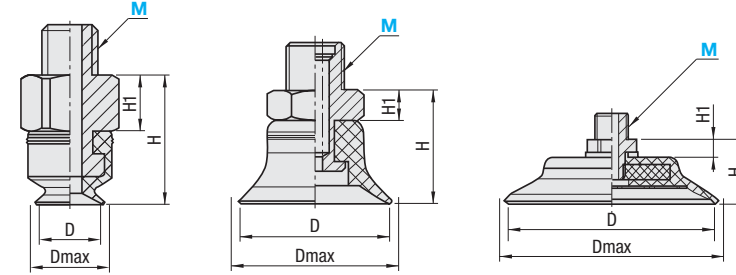

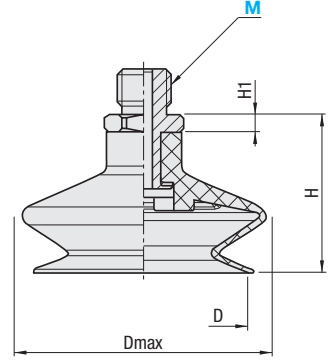

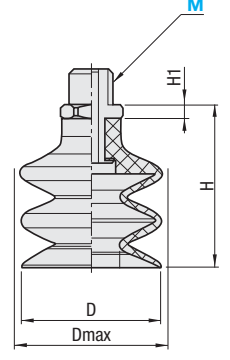


SUCTION CUP (NON-MARKING TYPE / SILICONE / NITRILE)

<p>■ Flat</p>  <table border="1"> <thead> <tr> <th>Material symbol</th> <th>M</th> <th>Material</th> <th>H</th> <th>Hardness</th> <th>Usable temp. range</th> <th>Color</th> </tr> </thead> <tbody> <tr> <td>ML</td> <td></td> <td>Special synthetic rubber</td> <td></td> <td>Shore A60</td> <td>-10~140°C</td> <td>Blue</td> </tr> <tr> <td>S</td> <td></td> <td>Silicone rubber</td> <td></td> <td>Shore A30~70</td> <td>-30~180°C</td> <td>White</td> </tr> <tr> <td>N</td> <td></td> <td>Nitrile rubber</td> <td></td> <td>Shore A40~80</td> <td>-10~70°C</td> <td>Black</td> </tr> </tbody> </table>	Material symbol	M	Material	H	Hardness	Usable temp. range	Color	ML		Special synthetic rubber		Shore A60	-10~140°C	Blue	S		Silicone rubber		Shore A30~70	-30~180°C	White	N		Nitrile rubber		Shore A40~80	-10~70°C	Black	<p>VC-SPS</p> <p>No.2 · 3.5 · 5 6 · 8 · 10</p> <p>No.15 · 20 · 25 30 · 35 · 40</p> <p>No.50 · 60 · 80</p> 
Material symbol	M	Material	H	Hardness	Usable temp. range	Color																							
ML		Special synthetic rubber		Shore A60	-10~140°C	Blue																							
S		Silicone rubber		Shore A30~70	-30~180°C	White																							
N		Nitrile rubber		Shore A40~80	-10~70°C	Black																							
<p>■ 1.5 stage bellows</p>  <table border="1"> <thead> <tr> <th>Material symbol</th> <th>M</th> <th>Material</th> <th>H</th> <th>Hardness</th> <th>Usable temp. range</th> <th>Color</th> </tr> </thead> <tbody> <tr> <td>ML</td> <td></td> <td>Special synthetic rubber</td> <td></td> <td>Shore A60</td> <td>-10~140°C</td> <td>Blue</td> </tr> <tr> <td>S</td> <td></td> <td>Silicone rubber</td> <td></td> <td>Shore A30~70</td> <td>-30~180°C</td> <td>White</td> </tr> <tr> <td>N</td> <td></td> <td>Nitrile rubber</td> <td></td> <td>Shore A40~80</td> <td>-10~70°C</td> <td>Black</td> </tr> </tbody> </table>	Material symbol	M	Material	H	Hardness	Usable temp. range	Color	ML		Special synthetic rubber		Shore A60	-10~140°C	Blue	S		Silicone rubber		Shore A30~70	-30~180°C	White	N		Nitrile rubber		Shore A40~80	-10~70°C	Black	<p>VC-RSPS</p> 
Material symbol	M	Material	H	Hardness	Usable temp. range	Color																							
ML		Special synthetic rubber		Shore A60	-10~140°C	Blue																							
S		Silicone rubber		Shore A30~70	-30~180°C	White																							
N		Nitrile rubber		Shore A40~80	-10~70°C	Black																							
<p>■ 2.5 stage bellows</p>  <table border="1"> <thead> <tr> <th>Material symbol</th> <th>M</th> <th>Material</th> <th>H</th> <th>Hardness</th> <th>Usable temp. range</th> <th>Color</th> </tr> </thead> <tbody> <tr> <td>ML</td> <td></td> <td>Special synthetic rubber</td> <td></td> <td>Shore A60</td> <td>-10~140°C</td> <td>Blue</td> </tr> <tr> <td>S</td> <td></td> <td>Silicone rubber</td> <td></td> <td>Shore A30~70</td> <td>-30~180°C</td> <td>White</td> </tr> <tr> <td>N</td> <td></td> <td>Nitrile rubber</td> <td></td> <td>Shore A40~80</td> <td>-10~70°C</td> <td>Black</td> </tr> </tbody> </table>	Material symbol	M	Material	H	Hardness	Usable temp. range	Color	ML		Special synthetic rubber		Shore A60	-10~140°C	Blue	S		Silicone rubber		Shore A30~70	-30~180°C	White	N		Nitrile rubber		Shore A40~80	-10~70°C	Black	<p>VC-HSPS</p> 
Material symbol	M	Material	H	Hardness	Usable temp. range	Color																							
ML		Special synthetic rubber		Shore A60	-10~140°C	Blue																							
S		Silicone rubber		Shore A30~70	-30~180°C	White																							
N		Nitrile rubber		Shore A40~80	-10~70°C	Black																							

■ Features of Non-marking Type Suction Cup

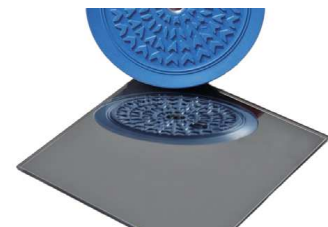
- This non-marking suction cup does not consist of composite such as silicon, plasticizer, or reinforcing materials such as carbon.
- It also does not use silicone oil as a mold release agent during molding in the suction cup production process.
- Suitable for suction transferring of glass, resin molded products, PCBs, solar cells & etc.

■ Causes of Suction Marks on Workpiece

1. Silicone components contained in rubber or mold releasing agents.
2. Traces of sulfurized rubber plasticizer.
3. Traces of reinforcing materials such as carbon.
4. Traces of chemical substances from rubber compounds.
5. Wear off on seal lip of suction cup.
6. Charged particles around workpiece.



Normal suction cup



Non-marking type suction cup

Applicable metal fittings	Mounting type	Cup dia.	D	Dmax	H	H1	Weight (g) ^{*1}	Part Number		Material symbol	Suction bracket mounting part M	Unit Price With Bracket				
								Type	No.			ML	S	N		
VC—KNGM3 VC—KNGM—U3 VC—KNGM—UM3	Screw fastening type	2	2	2.5	6	2	1	VC—SPS (Flat)			M3					
		3.5	3.5	4	6	2.5	1					2	3.5			
		5	5	5.5	11.5	5	1					5				
		6	6	6.5	11.5	5	1					6				
		8	8	9	12	5	1					8				
		10	10	11.5	12.5	5	1					10				
		15	15	17.5	13	5	4					15				
		20	20	23	15	5	6					20				
		25	25	27.5	19	5	6					25				
		30	28.8	31.5	17	5	7					30				
VC—KNGM5 VC—KNGM—U5 VC—KNGM—UM5	Screw fastening type	35	35	38	19	5	10	VC—RSPS (1.5 stage bellows)		ML (Non-marking) S (Silicone) N (Nitrile)	M5					
		40	40	43	19	5	11					40				
		50	50	53.5	20	5	15					50				
		60	60	64	23	5	34					60				
		80	80	86	25	4.5	63					80				
		4	4	5	7.5	2	2					4				
		6	5.7	8	14	5	2					6				
		11	10.4	13	21	5	10					11				
		14	12.5	14.5	20.5	5	13					14				
		16	15.6	18.5	24.2	5	20					16				
VC—KNGM3 VC—KNGM—U3 VC—KNGM—UM3	Screw fastening type	20	18.1	21	20.2	5	30	VC—HSPS (2.5 stage bellows)			M3					
		22	21.5	25	24	5	25					22				
		25	22.5	26.5	28	5	20					25				
		33	30	38	31	4	40					33				
		43	38	47.5	31.6	4	60					43				
		53	50	60	38	4	75					53				
		63	60	68	38	4	75					63				
		3	3	4	8.7	2	4					3				
		4	3.8	7	19	5	4					4				
		5	5	7	19	5	8					5				
VC—KNGM5 VC—KNGM—U5 VC—KNGM—UM5	Screw fastening type	7	5.9	9	19	5	8	VC—HSPS (2.5 stage bellows)			M5					
		9	9	9.5	20	5	10					9				
		12	12	13	26	5	13					12				
		14	14.5	15.5	27.8	5	15					14				
		18	17.2	19	27.6	5	20					18				
		20	20	21	27.1	5	30					20				
		25	23	26	40	5	30					25				
		32	32	33.5	41.5	4	35					32				
		42	42.6	45	50	4	75					42				
		52	52.5	55	52.7	4	75					52				
M—SVS2	Screw fastening type	62	62.2	65	58	4	75	VC—HSPS (2.5 stage bellows)			G2 (G1/4)					
												62				

Quotation

*1 The weight is an approximate value which serves only as a guideline.



Order

Part Number — Material symbol — Suction bracket mounting part
 VC—SPS5 — ML — M5
 VC—HSPS20 — S — M5



Days to Ship

Quotation



Price

Quotation

REMOVAL RELATED PRODUCTS