

SHOOTER

M-PSPM

RoHS10

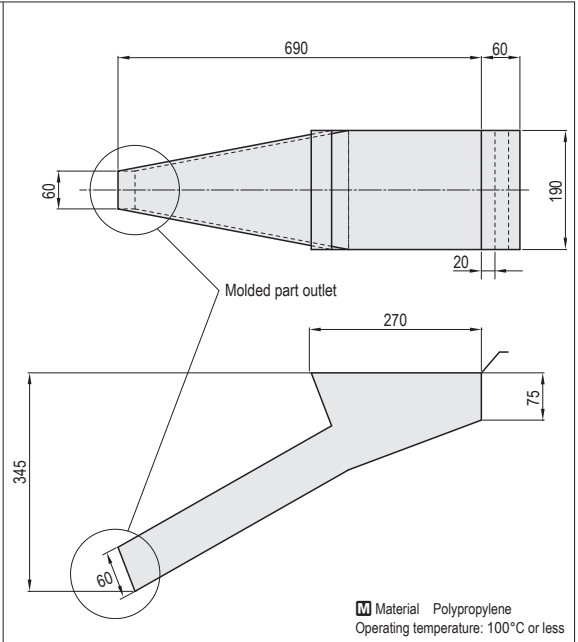
● Photo After Assembly



● Photo Before Assembly



ⓘ This product is delivered in compressed form. Follow the instruction (refer to "How to Assemble") to assemble it before use.



Ⓜ Material Polypropylene
Operating temperature: 100°C or less

■ Product

- It is a tool to transport molded products by dropping it to a container, etc.
- Install it in a space under the molding machine according to the location where the molded product is dropped.

ⓘ Use for molded products that are smaller than the outlet size of the shooter.

■ Features

- Dust does not easily adhere due to the antistatic effect of polypropylene.
- As it is made of plastic, dirt can be wiped off easily. If the dirt is severe, it can be cleaned off using water and a neutral detergent.

Part Number	Unit Price
	1~9 pcs
M-PSPM	Quotation



Order

Part Number
M-PSPM



Days to Ship

Quotation



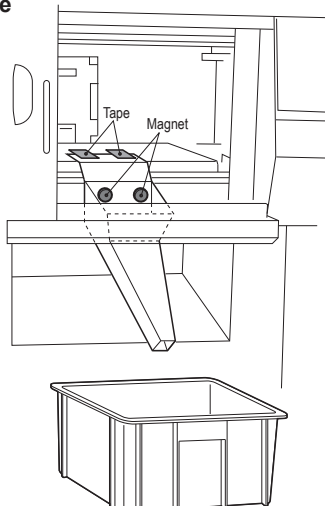
Price

■ Quantity Discount Rate

Order quantity	Standard service			Non-standard service - Large quantity
Quantity	1-9	10-19	20-29	30-
Rate	Standard	5%	10%	To be quoted

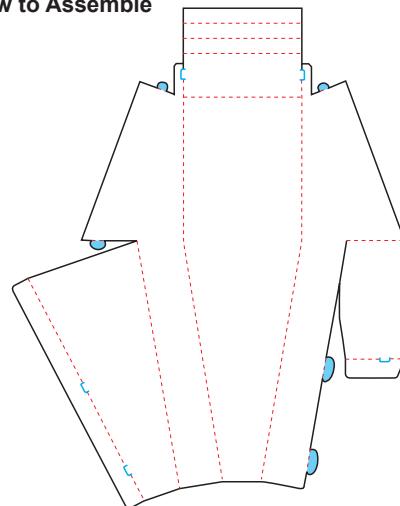
ⓘ For quantities not displayed here, refer to our MISUMI website for more information.

■ Example



Set it under the molding machine.

■ How to Assemble



- ① Fold along the red dotted lines as shown in the figure above.
- ② Insert the blue area shown above into the notch indicated by the blue solid line.