


**NEW**

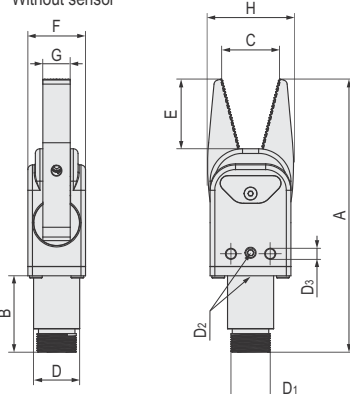
**RUNNER CHUCK**  
**RUNNER CHUCK**

REMOVAL  
RELATED PRODUCTS

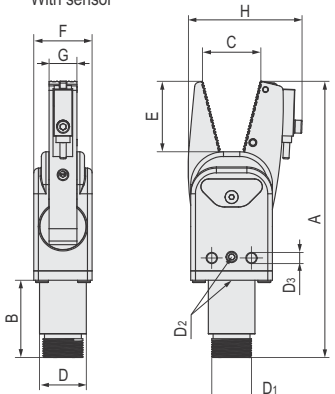
**MGRY Series**



**MGRY**  
Without sensor



With sensor




Material: Aluminum product  
Surface treatment: Anodizing

⚠ This product's function is a pick-and-place component and is used for the installation of Grip fixtures. Note that It may not be compatible to assemble with other products.  
⚠ When tightening, the gap is controlled to be less than 1mm.  
⚠ The surface is anodized, and the color of the actual product may vary from the product picture.  
⚠ The threaded hole at N needs to be connected to the  $\phi 4$  air pipe.

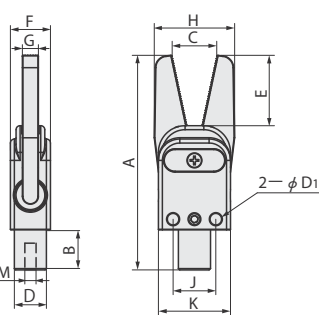
Part Number			D	Grab force (N)	Sensor	A	B	C	D <sub>1</sub>	D <sub>2</sub>	D <sub>3</sub>	E	F	G	H	Weight (g)
Type	Switch type	Type														
MGRY	(Not provided)	A B	20	80	Not provided	118	33	0-24	M17×1	M5	M5	30	25	12	37	112
	N (NPN switch)				Provided											
	P (PNP switch)															

Order **Part Number** **MGRYNA** - **D** **20** Days to Ship **Quotation** Price **Quotation**

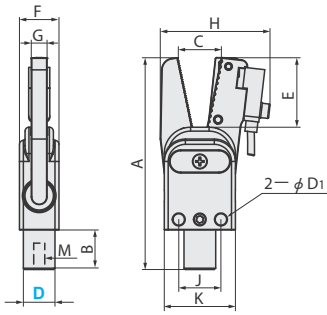
**MGR Series**



**MGR**  
Without sensor



With sensor



Material: Aluminum product  
Surface treatment: Anodizing

⚠ This product's function is a pick-and-place component and is used for the installation of Grip fixtures. Note that It may not be compatible to assemble with other products.  
⚠ When tightening, the gap is controlled to be less than 1mm.  
⚠ The surface is anodized, and the color of the actual product may vary from the product picture.

Part Number			D	Grab force (N)	Sensor	A	B	C	D <sub>1</sub>	E	F	G	H	J	K	M	Weight (g)
Type	Switch type	Type															
MGR	(Not provided)	12	28	Not provided	80.5	15	16	$\phi 4.2$	26.5	15	6	6	30	16	27	M5	44
	N (NPN switch)			Provided													
	P (PNP switch)																

Order **Part Number** **MGR** - **D** **12** Days to Ship **Quotation** Price **Quotation**