


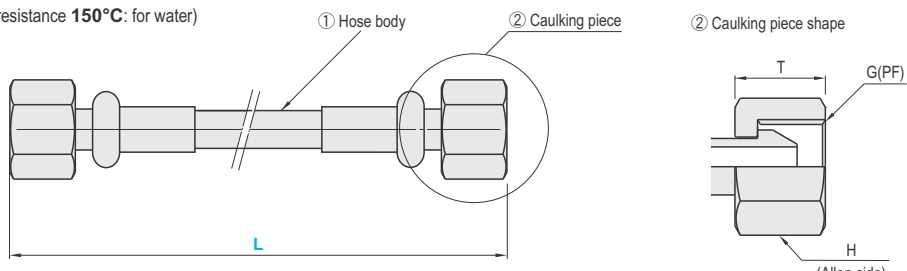
# CAULKING HOSE FOR TEMPERATURE ADJUSTMENT / DEDICATED NIPPLE

## ■ Caulking Hose for Temperature Adjustment

RoHS



**KGHA—S** (Heat resistance 120°C: for water and oil)  
**WHSG—S** (Heat resistance 150°C: for water)



① Hose body      ② Caulking piece      ② Caulking piece shape

Material  
 ① Hose body

Type	Internal rubber	Outside rubber	Reinforcing wire
<b>KGHA—S</b> (Heat resistance 120°C: for water and oil)	Heat and oil-resistant NBR blended rubber	Heat and weather-resistant CR blended rubber	Synthetic fiber
<b>WHSG—S</b> (Heat resistance 150°C: for water)	Silicone rubber	Silicone rubber	High-tension polyester cord

② Caulking piece C3604

② Caulking piece			① Hose body					Part Number		L 1m increments	Unit Price (1~9 pcs)				
G (PF)	H (Allen side)	T	Max. operating pressure (MPa)	Usable temperature range	Min. bending radius	Internal dia.	External dia.	Type	No.		1m	2m	3m	4m	5m
1/4	15	11	1.5MPa	-30°C~120°C	80	6.3	(13)	<b>KGHA—S</b> (Heat resistance: 120°C)	2	1~5	<b>Quotation</b>				
3/8	20	13			100	9.5	(16.5)		3	1~5					
1/4	15	11	1.0MPa	-30°C~150°C	80	6.3	(12.3)	<b>WHSG—S</b> (Heat resistance: 150°C)	2	1~5					
3/8	20	13			100	9.5	(16)		3	1~5					

⚠ Please use dedicated nipple (KWSN) for the connection.



Order

Part Number — L  
**KGHA—S 3 — 4**



Days to Ship

**Quotation**

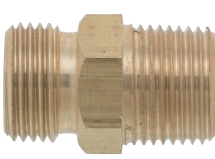


Price

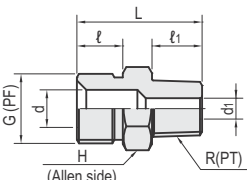
**Quotation**

## ■ Dedicated Nipple

RoHS 10



**KWSN** (Dedicated nipple for KGHA—S, WHSG—S)



Material: C3604

G (PF)	R (PT)	H (Allen side)	ℓ	ℓ <sub>1</sub>	d <sub>1</sub>	d	L	Part Number		Unit Price	
								Type	No.	1~9 pcs	
1/4	1/8	14	9	10	5	6	24	<b>KWSN</b>		<b>21</b>	
	1/4	14	9	11	6	6	26			<b>22</b>	
3/8	1/8	17	10	10	5	10	26			<b>31</b>	<b>Quotation</b>
	1/4	17	10	11	6	10	27			<b>32</b>	
	3/8	17	10	13	10	10	29	<b>33</b>			



Order

Part Number  
**KWSN 21**



Days to Ship

**Quotation**



Price

**Quotation**

COMPONENTS FOR MOLD COOLING AND TEMPERATURE CONTROLLING SYSTEMS