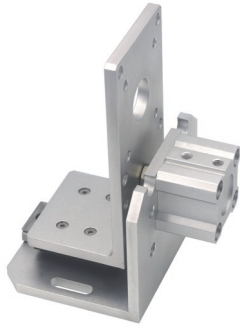


**NEW**

AIR NIPPER BRACKET / BLADE FOR AIR NIPPER

# AIR NIPPER BRACKET / BLADE FOR AIR NIPPER

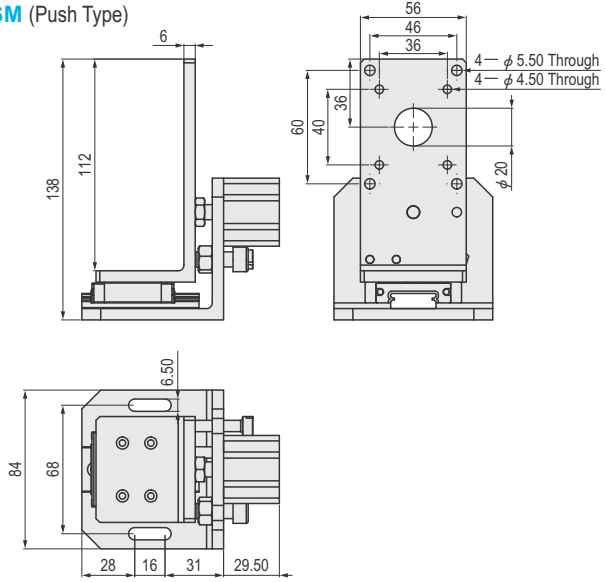
■ **MNT Series**



<b>M</b> Material	<b>S</b> Surface treatment
Aluminum product	Anodizing

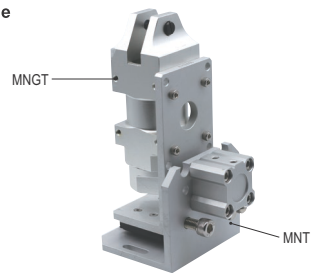
**MNT-2010TM** (Pull Type)

**MNT-2010SM** (Push Type)



ⓘ The surface is anodized, and the color of the actual product may vary from the product picture.

Part Number	Model of Auxiliary Air Nipper
<b>MNT-2010TM</b>	MNGT-NS20
<b>MNT-2010SM</b>	MNGT-NS30



Order

Part Number  
**MNT-2010TM**



Days to Ship

**Quotation**



Price

**Quotation**

REMOVAL  
RELATED PRODUCTS