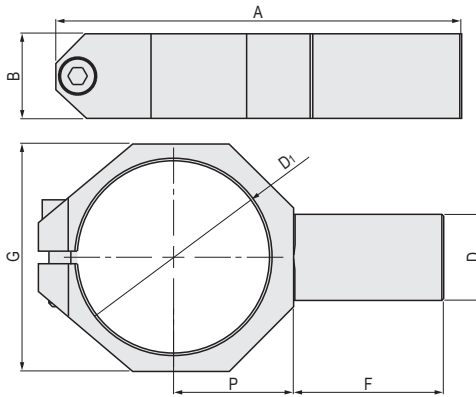


180° ROTATOR FOR AIR NIPPER

■ 180° Rotator for Air Nipper

MSCE



M Material	S Surface treatment
Aluminum product	Anodizing

- ⓘ This product is used together with the MNGT—NR20 and MNGT—NR30 series air nippers featured in this catalog.
- ⓘ When tightening, the gap is controlled to be less than 1 mm.
- ⓘ The surface is anodized, and the color of the actual product may vary from the product picture.

Part Number		A	B	D	D ₁	F	G	P	Weight (g)	Applicable air nipper
Type	No.									
MSCE	1	94.5	20	20	45	35	53	28	65	MNGT—NR20
	2	111	25	20	56	40	65	33	110	MNGT—NR30



Order

Part Number
MSCE1

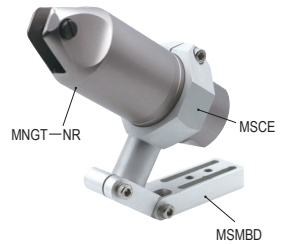


Days to Ship

Quotation



Example

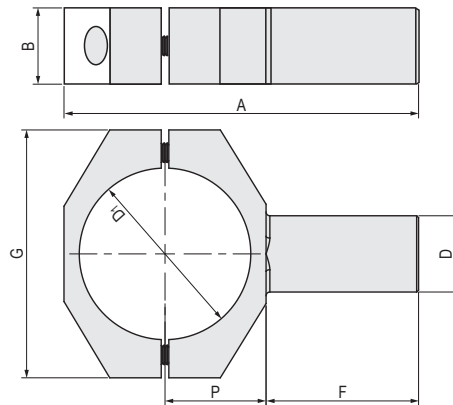


Price

Quotation

■ 180° Rotator for Air Nipper

MSCED



M Material	S Surface treatment
Aluminum product	Anodizing

Part Number		A	B	D	D ₁	F	G	P	Weight (g)	Applicable air nipper
Type	No.									
MSCED	45	94	20	20	45	40	65	28	111	MNGT—NR20
	56	106	20	20	56	40	76	33	123	MNGT—NR30



Order

Part Number
MSCED45

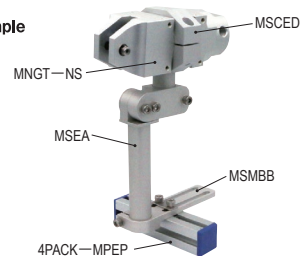


Days to Ship

Quotation



Example



Price

Quotation