
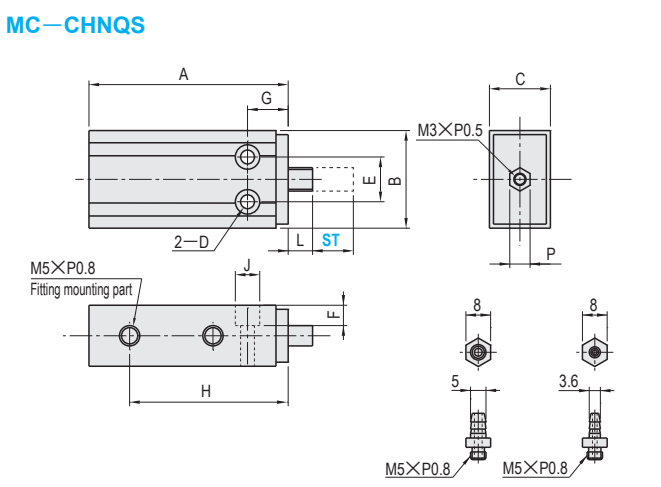


MINIATURE AIR CYLINDERS / RUBBER PLATE FOR MINIATURE AIR CYLINDERS  
**MINI CYLINDER / STOPPER PLATE**

MOUNTING PLATE FOR MINIATURE AIR CYLINDERS  
**MOUNTING PLATE (FOR MINI CYLINDER)**



**MC-CHNQS**



■ **Basic Specifications**

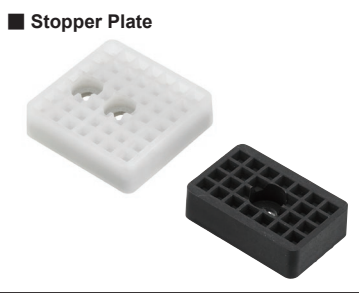
- Actuation type: Single acting type
- Operating fluid: Air
- Operating pressure: 1.5~8.5kgf/cm<sup>2</sup>
- Operating temperature range: 0~60°C
- Body material: Aluminum alloy

A	B	C	P	E	G	L	H	D	F	J	Cylinder Internal dia.	Weight (g) <sup>1</sup>	Supplied bolts	Included fitting	Part Number		Stroke	Unit price
															Type	No.		
49	24	15	5	11	10	6	39	3.4	5	6	10	100	M3-18 : 2 pcs	Pipe fitting: 2 pcs (Applicable tube 6×4, 4×2.5)	MC-CHNQS	10	10	Quotation

<sup>1</sup>The weight is an approximate value. Consider it a guideline. Please check with our WOS for the purchase order that exceeds the displayed quantity.

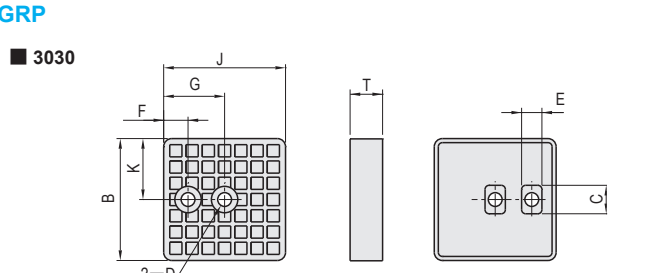
Order **Part Number** **MC-CHNQS10** - **ST** **10** Days to Ship **Quotation**

■ **Stopper Plate**

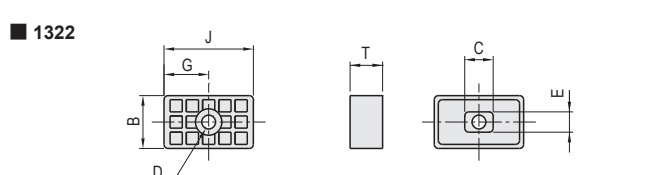


**MC-GRP**

■ 3030



■ 1322




Material symbol	M Material	Color
S	Silicone rubber	White
N	Nitrile rubber	Black

Applicable Cylinder	J	B	T	C	D	E	F	G	K	Weight (g) <sup>1</sup>	Included Bolt	Part Number		Hardness Shore A	Material symbol	Unit price
												Type	No.			
MC-CHNQS10-10	30	30	8	7	3.4	5	6	15	15	20	M3-6: 1 pc	MC-GRP	3030	60	S (Silicone rubber)	Quotation
														70	N (Nitrile rubber)	
	22	13	-	-	-	11	-	-	-	10	-	-	60	S (Silicone rubber)		
													70	N (Nitrile rubber)		

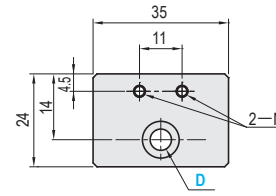
<sup>1</sup>The weight is an approximate value. Consider it a guideline. Please check with our WOS for the purchase order that exceeds the displayed quantity.

Order **Part Number** **MC-GRP3030** - **A** **A60** - **Material symbol** **S** Days to Ship **Quotation**

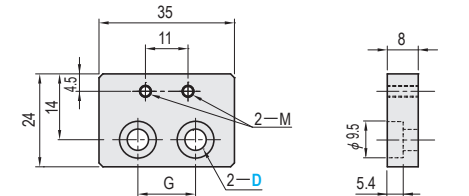


**MC-CBPLS**

■ **Mounting Hole×1 (1D5.5)**



■ **Mounting Hole×2 (2D5.5)**



Type	M Material	S Surface treatment
MC-CBPLS	A6061 equivalent	White alumite

■ **Mounting Plate for Mini Cylinder**

Applicable mini cylinder	G	M	Weight (g) <sup>1</sup>	Part Number		Mounting hole size D	Unit price
				Type	No.		
MC-CHNQS10-10	-	M3×P0.5	18	MC-CBPLS	10	1D5.5 2D5.5	Quotation

<sup>1</sup>The weight is an approximate value. Consider it a guideline. Please check with our WOS for the purchase order that exceeds the displayed quantity.

■ **Mounting Plate for Mini Cylinder (Mounting Bolts Set)**

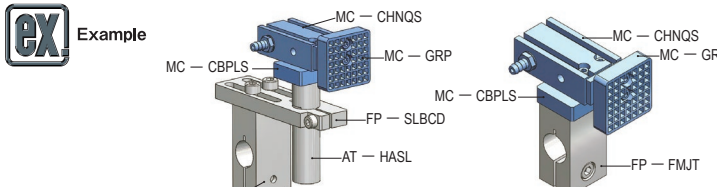
Part Number	Mounting hole size D	Mounting bolt	Unit price	Bolt Set Details	
				Mounting bolt	Mounting bolt details
MC-CBPLS 10	1D5.5	AS1M5 (M5 : 1 pc)	Quotation	AS1M5 (M5, 1 pc)	M5×P0.8-10 (CB5-10) : 1 pc
		AF1M5 (M5 : 1 pc)		AS2M5 (M5, 2 pcs)	M5×P0.8-10 (CB5-10) : 2 pcs
	2D5.5	AS2M5 (M5 : 2 pcs)		AF1M5 (M5, 1 pc)	M5×P0.8-8 (CB5-8) : 1 pc
		AF2M5 (M5 : 2 pcs)		AF2M5 (M5, 2 pcs)	M5×P0.8-8 (CB5-8) : 2 pcs

Applicable parts: Shaft: AT-HAS□, Pipe joint: FP-FMJT, Aluminum frame: HFS5-2020 / HFSFIN5-1020

Please check with our WOS for the purchase order that exceeds the displayed quantity.

Order **Part Number** **MC-CBPLS10** - **D** **1D5.5** **MC-CBPLS10** - **2D5.5** - **AF2M5** Days to Ship **Quotation**

Example



The slide/height can be adjusted. As the Mini Cylinder is fixed directly to the bracket, it can be finished compactly.

■ **Mini Cylinder mounting example**

