


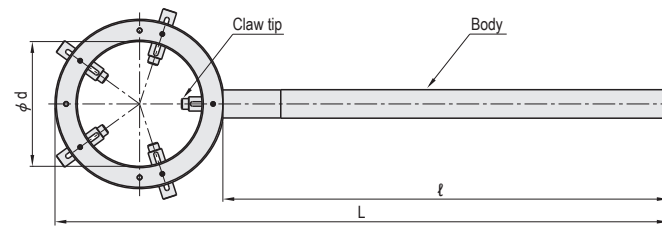
SCREW HEAD DISASSEMBLY WRENCH

■ Application It is used for removing a screw head from a screw.

■ Screw Head Disassembly Wrench



M-STW



M Material: Main body Steel + Unichrome plating
 Claw tip Brass

■ Set product

Applicable screw outer diameter (mm)	Applicable number of grooves	d (φ)	L (mm)	ℓ (mm)	Attached claw	Part Number		Unit price
						Type	Size	1~3 pcs
~60	3, 4, 5	80	344	230	5 pieces	M-STW	S	Quotation
60~120	4,5	140	689	500			L	

Please check with our WOS for the purchase order that exceeds the displayed quantity.

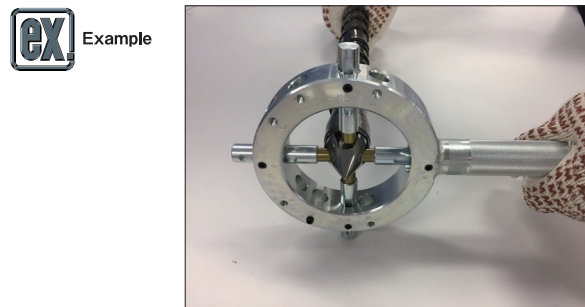
 Order

Part Number

 Days to Ship

Quotation

M - STW - S
M - STW - S - S



■ Spare Claw Tip (single unit)

Quantity (pcs)	Part Number	Unit Price
		1~3 pcs
5	M-STW-S-S	Quotation

Please check with our WOS for the purchase order that exceeds the displayed quantity.


- It is used for removing a screw head from a screw.
- S type can be used for screw heads with 3, 4 or 5 grooves. L type is for 4 and 5 grooves.
- The design allows it to fit the screw head simply by pushing the claw into the hole with the numbers 3, 4 and 5 engraved on one side and squeezing the screw on the side, enabling smooth removal. The numbers engraved on the L type are 4 and 5.
- It has five claws that can be independently squeezed. The tip of the claw is brass and does not easily damage the screw head.

* When removing the screw head, do not hit with a hammer or impact wrench.
 * If it isn't loosened up, heat the thread of the screw head throughly to make it easy to turn.

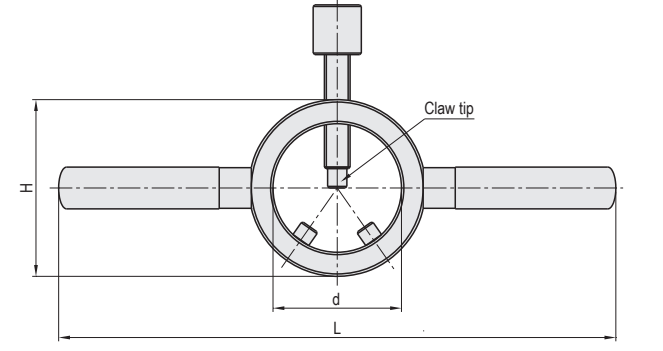
SCREW HAND PULLER

■ Application It is used for removing screws from a molding machine.

■ Screw Hand Puller



M-SHT



M Material: Body Aluminum
 Claw tip Brass

Applicable screw outer diameter (mm)		d (φ)	H (mm)	L (mm)	Part Number		Unit price
min	max				Type	Size	1~3 pcs
16	60	80	110	330	M-SHT	60	Quotation
60	100	120	155	475		100	

Please check with our WOS for the purchase order that exceeds the displayed quantity.

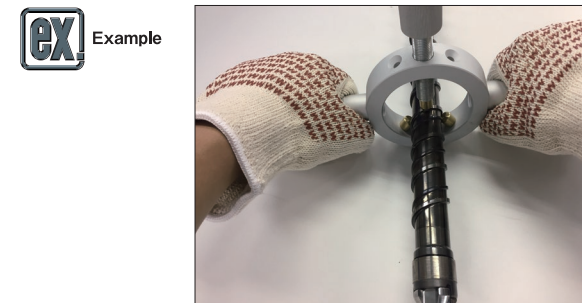
 Order

Part Number

 Days to Ship

Quotation

M - SHT60



- It can be used to remove screws and move units safely.
- A thread type adjustment structure that supports various outer diameters.
- The tip of the claw is brass and does not easily damage the screw head.