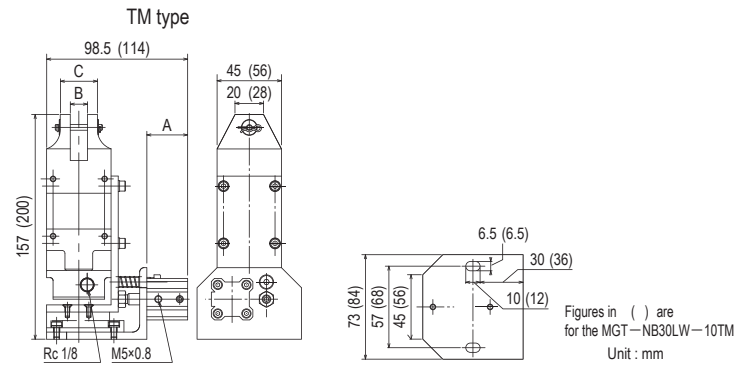


SLIDING AIR NIPPERS BRACKET TYPE / STAND FOR ROUND AIR NIPPERS

Sliding Air Nippers Bracket Type



MGT-NB□□LW-10TM



Features

- Achieved smooth and continuous slide movement even for large diameter gate cuts, which produces a large shock at each cut.

Applicable models	Dimensions (mm)			Slide type/stroke (mm)	Weight (g)	Part Number	Unit Price
	A	B	C				1~9 pcs
MN20□□□	28.5	12	26	Pull 0~10	795	MGT-NB20LW-10TM	Quotation
MN30□□□	29.5	17	36	Pull 0~10	1,315	MGT-NB30LW-10TM	

For quantities not displayed here, refer to our MISUMI website for more information.



Order

Part Number

MGT-NB20LW-10TM



Days to Ship

Quotation



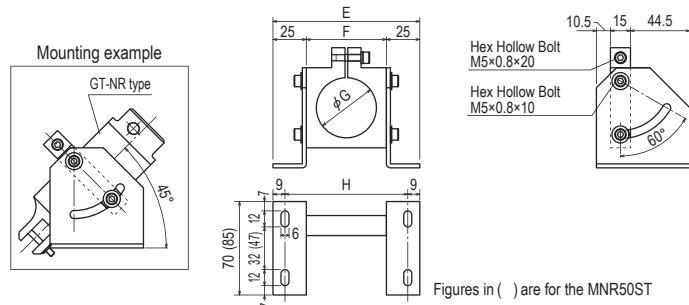
Price

Quotation

Stand for Round Air Nippers



MNR□□□ST



Features

- Fixing hardware for sprue cutting of direct gates or mounting to an automatic machine.
- Mounted angle can be adjusted (0 to 60°).

Applicable models	Dimensions (mm)				Weight (g)	Part Number	Unit Price
	E	F	G	H			1~9 pcs
MGT-NR10L	102	52	36	84	335	MNR10LST	Quotation
MGT-NR20	110	60	45	92	385	MNR20ST	
MGT-NR30	130	80	56	112	535	MNR30ST	
MGT-NR50	150	100	75	132	835	MNR50ST	

For quantities not displayed here, refer to our MISUMI website for more information.



Order

Part Number

MNR10LST



Days to Ship

Quotation



Price

Quotation