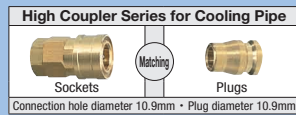

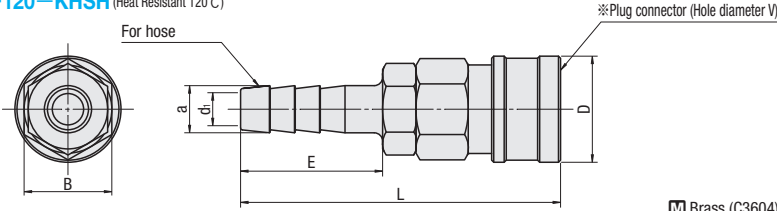

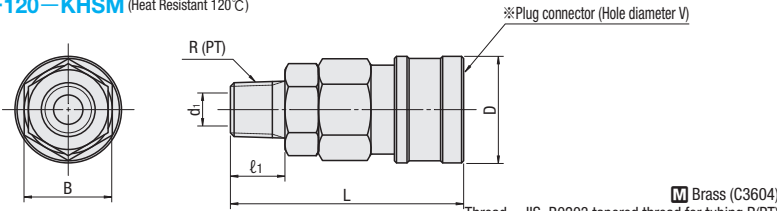

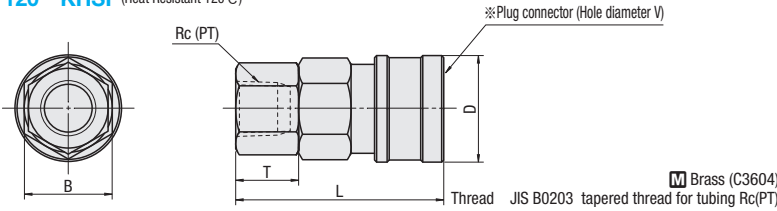


# HIGH COUPLERS FOR COOLING PIPE

—SOCKETS— ~HEAT RESISTANT 80°C · 120°C SERIES~



<p><b>RoHS</b></p> 	<p>For hose attachment</p> <p>Matching Plugs: P.1055 · 1056</p> <p><b>KHSH</b> (Heat Resistant 80°C) <b>F120—KHSH</b> (Heat Resistant 120°C)</p>  <p>※Plug connector (Hole diameter V)</p> <p><b>M</b> Brass (C3604)</p>
<p><b>RoHS</b></p>  <p>⊕ F120—KHSM doesn't correspond to RoHS.</p>	<p>Female screw joint type</p> <p>Matching Plugs: P.1055 · 1056</p> <p><b>KHSM</b> (Heat Resistant 80°C) <b>F120—KHSM</b> (Heat Resistant 120°C)</p>  <p>※Plug connector (Hole diameter V)</p> <p>Thread JIS B0203 tapered thread for tubing R(PT)</p> <p><b>M</b> Brass (C3604)</p>
<p><b>RoHS</b></p> 	<p>Male screw joint type</p> <p>Matching Plugs: P.1055 · 1056</p> <p><b>KHSF</b> (Heat Resistant 80°C) <b>F120—KHSF</b> (Heat Resistant 120°C)</p>  <p>※Plug connector (Hole diameter V)</p> <p>Thread JIS B0203 tapered thread for tubing Rc(PT)</p> <p><b>M</b> Brass (C3604)</p>

Matching Plug	Plug connection parts		L	d1	Allen side B	For hose		Tapered male thread R(PT)	l1	Tapered female thread Rc(PT)	T	Part Number		U/Price 1~9			
	Hole diameter V	D				a	E					Type	No.	Heat resistant 80°C	Heat resistant 120°C		
High Coupler Series Plug tip diameter V=10.9	10.9	25.4	72.5	5	21	9	30	—	—	—	—	For hose attachment	2	Quotation			
			76.5	7.5		11.3	34	—	—	—	—	—	—			For female screw joint	2
			55.5	7		—	—	1/4	13	—	—	—	—			—	3
			56.5	8		—	—	3/8	14	—	—	—	—			—	3
			49.5	—		—	—	—	—	1/4	13	—	—			—	2

- ⊕ Matching Plug: MISUMI's high couplers for cooling pipe KHPM · JPLH · JPL · LJPL · KHPH · KHPF · JPHL · JPHLM **P.1056**  
Nitto's high couplers □□PM · □□PH · □□PF
- ⊕ Matching Joint Plug Connections **P.1045** ⊕ Guide for Sockets **P.1047 · 1048 · 1317~1320**
- ⊕ Use in atmospheric pressure 980kPa (10kgf/cm<sup>2</sup>) or lower.
- ⊕ Keep water temperature under the allowable temperature. ⊕ Note when above plug is embedded into the mold, it may be unable to remove the socket.
- ⊕ No automatic open/close valve on the plug side of high couplers for cooling pipe. Please confirm the hydraulic pressure and water temperature before removing the socket. Please be careful especially when the water temperature is high.

Order **Part Number**  
**KHSH 3**

**P** Price **Quotation**

Days to Ship **Quotation**

## When using

- Tighten the plug under the maximum tightening torque.
- Please use within the allowable temperature.
- Do not use the mold couplers for any other purposes than water cooling.
- Select an appropriate hose and hose band for the socket.

## About Plugs (KHPH/JPLH/SUS-JPLH/JPL/LJPL/LJPLH) of High Couplers Series for Cooling Pipe

Embedding in the mold is not appropriate concerning KHPH · JPLH · SUS—JPLH · JPL · LJPL · LJPLH due to the structure of the connecting socket. Use the unit after mounting them outside the mold.

(At the time of attachment/detachment, counterbore diameter that a hand can fully enter is necessary due to its structure in which the socket tip is pulled by hand to attach/detach the socket.)

## About Plugs for Hexagonal Wrench Installation

Even if the plug is accidentally broken, it can be easily removed as the hole inside shaped hexagonal so that an Allen wrench fits.