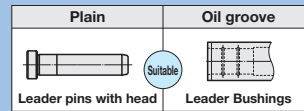
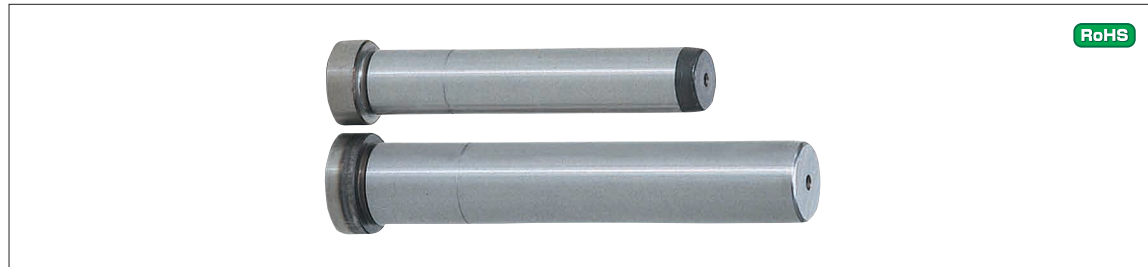


# PRECISION LEADER PINS

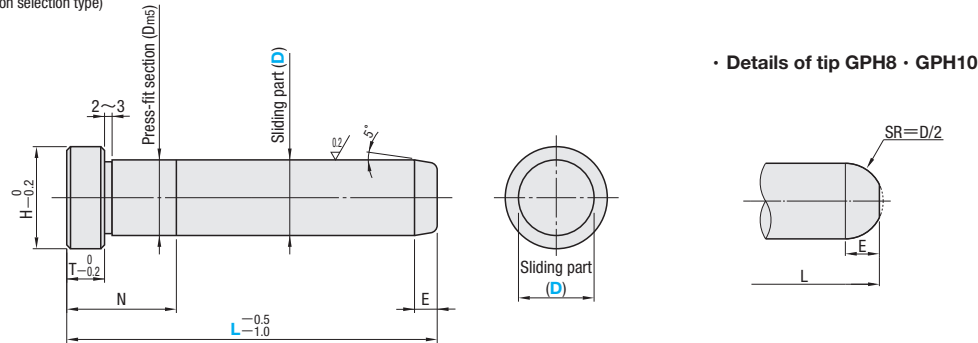
— HEAD · PLAIN L DIMENSION SELECTION TYPE —



Ⓜ Non JIS material definition is listed on P.1351 - 1352



GPH (L dimension selection type)

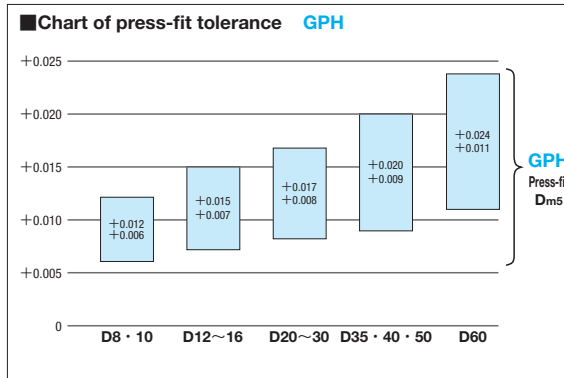


Ⓜ Recommended mold temperature for the usage of a precision leader pin and bushing is 80°C or less because of a little clearance between them. (Ⓜ P.878) Ⓜ SUJ2 Ⓜ 58HRC~ (Induction hardening)  
Ⓜ A center hole may be left on one or both ends.

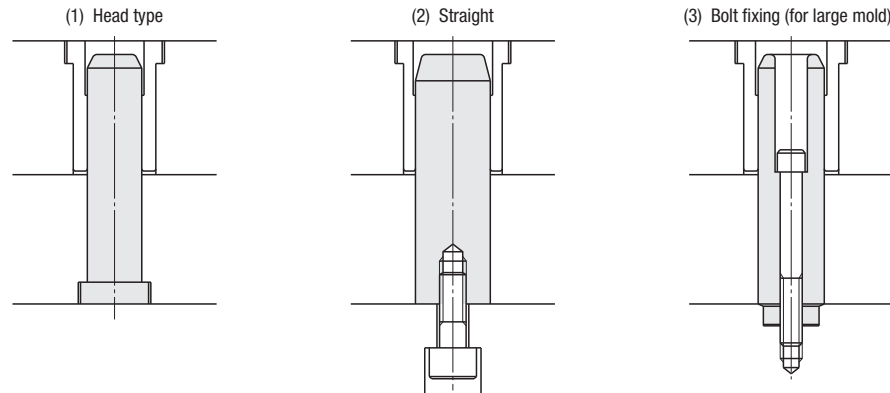
Order Part Number — L  
GPH20 — 140

Days to Ship **Quotation**

Price **Quotation**



Example ■ Example of mounting leader pins



Sliding part D	Press-fit section Dm5	T	H	E	N	Part Number		L selection	U/Price 1~9
						Type	D		
8	8	5	11	3	14	GPH	8	30 35 40	
								19	
10	10	5	13	4	14	GPH	10	30 35 40	
								19	
12	12	5	17		14	GPH	12	30 35 40 45	
								19	
13	13	5	18		14	GPH	13	40	
								19	
16	16	5	21		19	GPH	16	80 90	
								24	
20	20	5	25		29	GPH	20	50 60 70	
								34	
25	25	8	30		29	GPH	25	100 110	
								34	
30	30	8	35		39	GPH	30	160 170 180 190 200	
								44	
35	35	8	40		49	GPH	35	80 90	
								54	
40	40	10	45		54	GPH	40	120 130 140 150	
								59	
50	50	12	55		54	GPH	50	170 180 190	
								59	
60	60	15	65		54	GPH	60	100 110	
								59	
60	60	15	65		54	GPH	60	160 170 180 190 200	
								59	
60	60	15	65		54	GPH	60	240 250	
								59	
60	60	15	65		54	GPH	60	180 190 200 210 220	
								59	
60	60	15	65		54	GPH	60	200 210 220	
								59	
60	60	15	65		54	GPH	60	240 250 260	
								59	
60	60	15	65		54	GPH	60	290 300	
								59	
60	60	15	65		54	GPH	60	320 340 360	
								59	
60	60	15	65		54	GPH	60	350 370 390	
								59	

Ⓜ You can order products of the same size by designation the press-fit part length of the precision grade guide pin GPHL (Ⓜ P.883).

Leader Components

Quotation