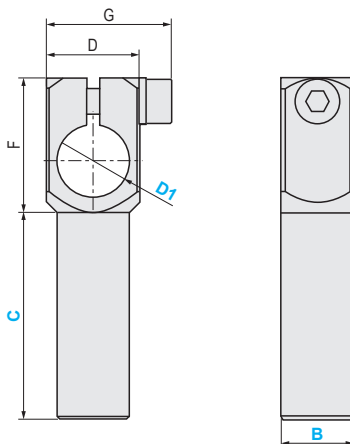


SUPPORT ROD

■ Support Rod

MSCA



M Material	S Surface treatment
Aluminum product	Anodizing

Part Number	D1	B	C	D	F	G	Weight (g)
MSCA	10	10	30	14	19	19	10
	10	10	60	14	19	19	15
	10	10	90	14	19	19	20
	12	12	30	19	21	21	13
	12	12	60	19	21	21	18
	12	12	90	19	21	21	23
	14	14	40	18	26	24	20
	14	14	80	18	26	24	30
	14	14	120	18	26	24	40
	20	20	50	25	32	32	45
	20	20	100	25	32	32	70
	20	20	150	25	32	32	105
	30	30	80	40	44	46	170
	30	30	140	40	44	46	230
	30	30	200	40	44	46	300



Order

Part Number — D1 — B — C
 MSCA — 10 — 10 — 30



Example



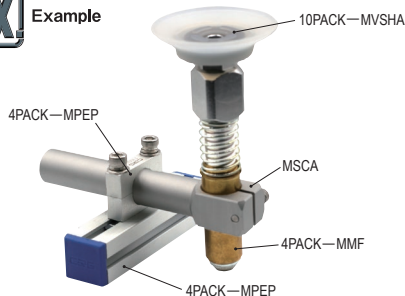
Days to Ship

Quotation



Price

Quotation



REMOVAL RELATED PRODUCTS