
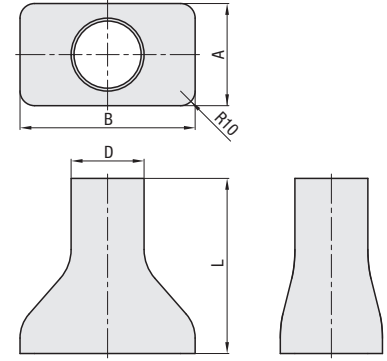


Dust Collection Nozzles



Type	Material	Heat Resistance Temp.
SJNZJ	PE	70°C

Features: Dust Collection Nozzles intended to collect dusts as the final step, after dust removal is done by using the other nozzle.
 : Can also be used to discharge dusts.
 : Have the Antistatic property and thus, can be used in a wide range of environments.



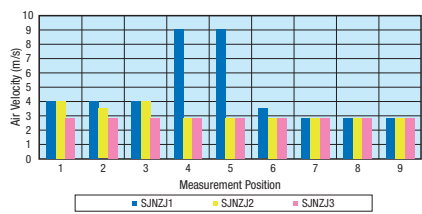
RoHS 10

Part Number		D	A	B	L	Unit Price 1 ~ 4 pc(s).	Volume Discount Rate		
Type	No.						5~39	40~99	100~200
SJNZJ	1	50	70	120	120				
	2		70	200	150				
	3	65	100	200	170				

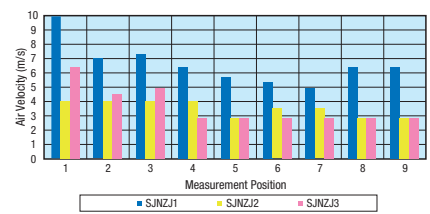
For orders larger than indicated quantity, please check with WOS.

Ordering Example **Part Number**
SJNZJ1

Differential Pressure Characteristic Table : Suction



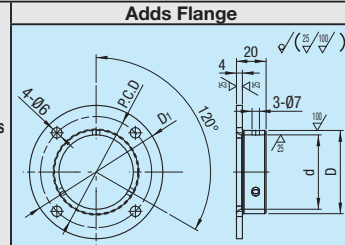
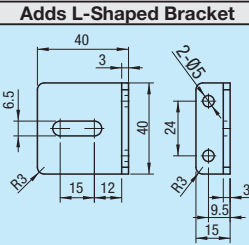
Differential Pressure Characteristic Table : Discharge



Dust Collection Nozzle Measurement Position

8	2	5
7	1	4
9	3	6

Alterations **Part Number** - (KFJ, KLB)
SJNZJ1 - KFJ

Alterations	Adds Flange	Adds L-Shaped Bracket																				
																						
Code	KFJ	KLB																				
Spec.	Machines a flange to fix the current nozzle. The resulting flange is secured through the Riveting method. [Ordering Code] KFJ The product will be shipped on the 3rd day after the order is received.	Mounts an L-Shaped Bracket to fix the current nozzle. The resulting bracket is secured through the Riveting method. [Ordering Code] KLB The product will be shipped on the 3rd day after the order is received.																				
	<table border="1"> <thead> <tr> <th>Part Number</th> <th>D1</th> <th>P.C.D</th> <th>D</th> <th>d</th> </tr> </thead> <tbody> <tr> <td>SJNZJ1</td> <td>80</td> <td>70</td> <td>56.2</td> <td>50.2</td> </tr> <tr> <td>SJNZJ2</td> <td>80</td> <td>70</td> <td>56.2</td> <td>50.2</td> </tr> <tr> <td>SJNZJ3</td> <td>100</td> <td>90</td> <td>71.2</td> <td>65.2</td> </tr> </tbody> </table>	Part Number	D1	P.C.D	D	d	SJNZJ1	80	70	56.2	50.2	SJNZJ2	80	70	56.2	50.2	SJNZJ3	100	90	71.2	65.2	
Part Number	D1	P.C.D	D	d																		
SJNZJ1	80	70	56.2	50.2																		
SJNZJ2	80	70	56.2	50.2																		
SJNZJ3	100	90	71.2	65.2																		

