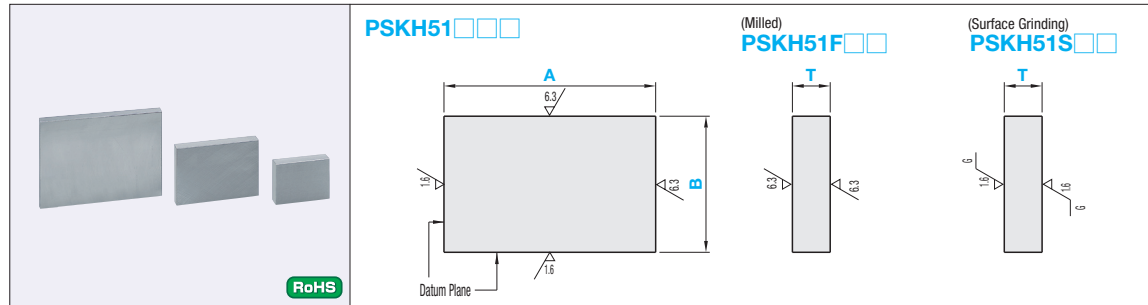
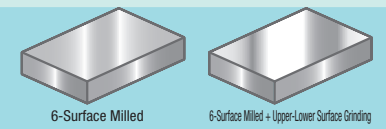


# Configurable Plates - SKH51



Part Number				0.5mm Increment		
Type	Upper-Lower Surface Finish	① Plate Thickness Tolerance	② A, B Dimension Tolerance	A	B	T
PSKH51	F (Milled) S (Surface Grinding)	H P Q N M	P Q N M	20~300	20~200	5~60

### ① Plate Thickness Tolerance

Upper-Lower Surface Finish	H	P	Q	N	M
F (Milled)	+0.3~+0.5	+0.1~+0.3	0~+0.2	±0.1	-0.2~0
S (Surface Grinding)	+0.2~+0.3	+0.1~+0.2	0~+0.1	±0.05	-0.1~0

### ② A, B Dimension Tolerance

Upper-Lower Surface Finish	A, B Dimension	P	Q	N	M
F (Milled)	250mm or Less	+0.1~+0.3	0~+0.2	±0.1	-0.2~0
S (Surface Grinding)	250.5mm or More	+0.1~+0.6	0~+0.5	±0.25	-0.5~0

### Precision Standards

Item	Upper-Lower Surface Finish (Max. Value)	
	F	S
Thickness Parallelism (per 100mm)	0.05	0.012
Flatness (per 100mm)	T5~7.5	0.1
	T8~15.5	0.07
	T16~25.5	0.05
	T26~60	0.05
Perpendicularity of Datum Plane	0.015 per 100mm	
Circumference Chamfering	C0.2~C0.5	



Ordering Example

Type	Upper-Lower Surface Finish	Plate Thickness Tolerance	A, B Dimension Tolerance	A	B	T
PSKH51	F	Q	M	120	120	24
PSKH51	S	N	N	120	120	24

Alterations

Part Number - A - B - T - (CSC, CBC, CCA...etc.)

PSKH51FNM - 300 - 100 - 20 - CSC

Alterations	Circumference Chamfering		Corner Cut
Code	CSC	CBC	CCA, CCB, CCC, CCD
Spec.	Reduce the circumference chamfering dimension. Standard C0.2 - C0.5 → C0.1 or Less	Increase the circumference chamfering dimension. Standard C0.2 - C0.5 → C0.5-C1.0	Cuts any corners. 1 ≤ Corner Cut ≤ 50: 1mm Increment $C = \frac{A}{2}, \frac{B}{2}$ (Ordering Code) (Ex.) When the corners of A and D are cut by C5, → CCA5-CCD5

(Ex.) For PSKH51FQN-120-120-24

A Dimension x Area Unit Price = Price

Part Number	A	B	T	5	7.5-9	9.5-11	11.5-13	13.5-16	16.5-20	20.5-22	22.5-25	25.5-28	28.5-29.5	30-34.5	35-35.5	40-44.5	45-49.5	50-54.5	55-60		
PSKH51F	20 -50	20-25	5																		
	50.5-75																				
	75.5-100																				
	100.5-150	25.5-40	5																		
	25.5-50																				
	50.5-75																				
	75.5-100	40.5-60	5																		
	100.5-200																				
	200.5-300																				
	40.5-50	60.5-80	5																		
	50.5-75																				
	75.5-100																				
	100.5-200	80.5-100	5																		
	200.5-300																				
	80.5-100																				
100.5-125	100.5-125	5																			
125.5-200																					
200.5-300																					
100.5-125	125.5-150	5																			
125.5-200																					
200.5-300																					
150.5-200	150.5-160	5																			
200.5-300																					
160.5-200																					
200.5-300	160.5-200	5																			

Part Number	A	B	T	5	7.5-9	9.5-11	11.5-13	13.5-16	16.5-20	20.5-22	22.5-25	25.5-28	28.5-29.5	30-34.5	35-35.5	40-44.5	45-49.5	50-54.5	55-60			
PSKH51S	20 -50	20-25	5																			
	50.5-75																					
	75.5-100																					
	100.5-150	25.5-40	5																			
	25.5-50																					
	50.5-75																					
	75.5-100	40.5-60	5																			
	100.5-200																					
	200.5-300																					
	40.5-50	60.5-80	5																			
	50.5-75																					
	75.5-100																					
	100.5-200	80.5-100	5																			
	200.5-300																					
	80.5-100																					
100.5-125	100.5-125	5																				
125.5-200																						
200.5-300																						
100.5-125	125.5-150	5																				
125.5-200																						
200.5-300																						
150.5-200	150.5-160	5																				
200.5-300																						
160.5-200																						
200.5-300	160.5-200	5																				