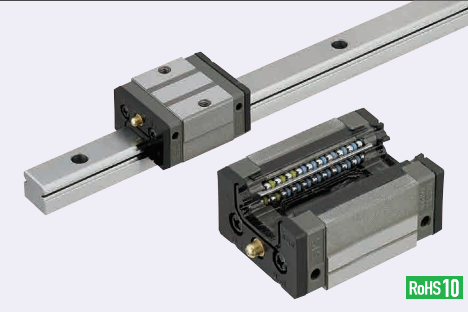


Linear Guides for Medium Load

With Plastic Retainers, Interchangeable, Light Preload

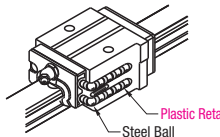
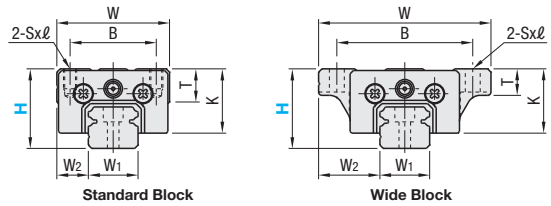
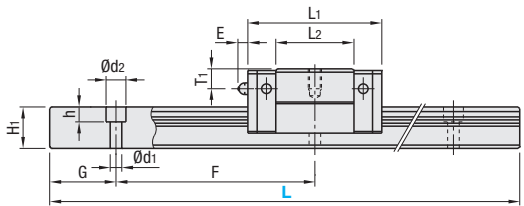
= For customers using industry standard products =
 Frame-surrounded products are compliant with the industry standard specifications (Standard Block Type).
 Select the block from this spec.

■ **Features:** Linear Guides with Plastic Retainers prevent contact between balls and result in low noise levels under high-speed operation.



	Type		Block	Rail	L Dimension	Material Hardness
	1 block	2 blocks				
Standard	SVRZ	SV2RZ	SVRB	SRZL	Selectable	Carbon Steel 58HRC~
	SVRLZ	SV2RLZ		SRZLF	Configurable	
	SVWZ	SV2WZ		SRZL	Selectable	
Wide Block Through Hole	SVWLZ	SV2WLZ	SVWB	SRZLF	Configurable	
	SVWTZ	SV2WTZ		SRZL	Selectable	
Wide Block Tapped Hole	SVWTLZ	SV2WTLZ	SVWTB	SRZLF	Configurable	

Heat Resistant Temperature: 0 ~ 50°C

Ⓜ For L Configurable, G dimensions differ from those shown in the table below. For details, see P531.

■ **Precautions for Use**

- Blocks are equipped with retainers to prevent balls from falling off. For how to handle the blocks, see P525.
- For interchangeable, Light Preload Type, rails and blocks can be interchangeable.
- Straight grooves are provided on datum planes. Be sure to match the datum lines when using.
- Rails cannot be connected end to end.
- The accuracy of Linear Guides is guaranteed after mounting the rail (after fastening screws on the rail and pushing it onto the datum plane).
- Minor bending of the rail will be adjusted after being mounted and will not affect the performance.

■ **Others**

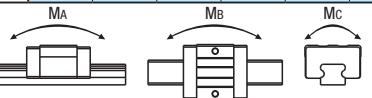
- Filled with Lithium soap based grease (Alvania Grease S2 by Showa Shell Sekiyu K.K.).
- Grease Fittings: Straight Type for H24 and Angled Type for H28, H33 and H42.
- Grease Fitting is screw-in type, and thus, can be repositioned.
- For Operating Life Calculation, see P527.
- For operating life calculations, use our free calculation software from http://download.misumi.jp/mol/fa_soft.html.

	Part Number		H	L	Block Dimension							Grease Fitting							Guide Rail Dimension				
	Type				W	L1	B	Sxℓ	L2	K	T	Mounting Hole			H1	W1	W2	Counterbored Hole d1xd2xh	F	G			
	1 block	2 blocks										Mounting Hole	E	T1									
Standard Block (Block) SVRB (Rail) SRZL SRZLF	SVRZ	SV2RZ	24	100~1480 (160)	34	40.4	26	M4x6	23.6	19	10	Ø3	3	6	12.5	15	9.5	3.5x6x4.5	60	20			
	SVRLZ	SV2RLZ	28	160~1960 (220)	42	47.2	32	M5x7	30	22	12	M6xP0.75	11	5.5	15.5	20	11	6x9.5x8.5	60	20			
			33	160~1960 (220)	48	59.6	35	M6x9	38	26	12	M6xP0.75	11	7	18	23	12.5	7x11x9	60	20			
			42	200~1960 (280)	60	67.4	40	M8x12	42	33	13	M6xP0.75	11	8	23	28	16	7x11x9	80	20			
Wide Block (Block) SVWB SVWTB (Rail) SRZL SRZLF	SVWZ	SV2WZ	24	100~1480 (160)	52	40.4	41	4.5 (M5)	23.6	19	8	Ø3	3	6	12.5	15	18.5	3.5x6x4.5	60	20			
	SVWLZ	SV2WLZ	28	160~1960 (220)	59	47.2	49	5.5 (M6)	30	22	10	M6xP0.75	11	5.5	15.5	20	19.5	6x9.5x8.5	60	20			
	SVWTZ	SV2WTZ	33	160~1960 (220)	73	59.6	60	7 (M8)	38	26	11	M6xP0.75	11	7	18	23	25	7x11x9	60	20			
	SVWTLZ	SV2WTLZ	42	200~1960 (280)	90	67.4	72	9 (M10)	42	33	11	M6xP0.75	11	8	23	28	31	7x11x9	80	20			

Ⓜ L Dimension: Dimensions in () are for 2-Block Type.
 Ⓜ Sxℓ Dimensions: Dimensions in () are for Wide Block Tapped Hole.

kgf=Nx0.101972

H	Basic Load Rating		Allowable Static Moment			Mass		
	C (Dynamic) kN	Co (Static) kN	MA N·m	Mb N·m	Mc N·m	Block kg Standard	Block kg Wide	Guide Rail kg/m
24	4.9	7.8	21	18	39	0.14	0.17	1.4
28	7.25	11.8	40	34	80	0.19	0.24	2.3
33	12.7	20.8	96	81	164	0.34	0.44	3.1
42	18.7	29.6	153	128	282	0.58	0.76	4.8

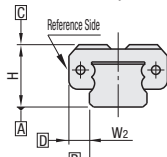


■ **Preload and Accuracy Standards**

Interchangeable, Light Preload Type

Radial Clearance (µm)	
H24, 28	-4~0
H33, 42	-5~0

Dimensional Accuracy (µm)		Interchangeable
Height H Tolerance	±20	
Pair Variation of Height H	15	
Width W2 Tolerance	±30	
Pair Variation of Width W2	25	
Running Parallelism of Plane C against Plane A	See P525	
Running Parallelism of Plane D against Plane B	See P525	



H	Selectable L	Unit Price									
		1 block			2 blocks				Rail	Block	
		SVRZ	SVWZ	SVWTZ	SV2RZ	SV2WZ	SV2WTZ	SRZL	SVRB	SVWB	SVWTB
100											
160											
220											
280											
340											
400											
460											
520											
580											
640											
700											
760											
820											
880											
940											
1000											
1060											
1120											
1180											
1240											
1300											
1360											
1420											
1480											
160											
220											
280											
340											
400											
460											
520											
580											
640											
700											
760											
820											
880											
940											
1000											
1060											
1120											
1180											
1240											
1300											
1360											
1420											
1480											
1540											
1600											
1660											
1720											
1780											
1840											
1900											
1960											
160											
220											
280											
340											
400											
460											
520											
580											
640											
700											
760											
820											
880											
940											
1000											
1060											
1120											
1180											
1240											
1300											
1360											
1420											
1480											
1540											
1600											
1660											
1720											
1780											
1840											
1900											
1960											
160											
220											
280											
340											
400											
460											
520											
580											
640											
700											
760											
820											
880											
940											
1000											
1060											
1120											
1180											
1240											
1300											
1360											
1420											
1480											
1540											
1600											
1660											
1720											
1780											
1840											
1900											
1960											

■ **L Dimension Configurable Type (1mm Increment)**

H	Unit Price						
	1 block			2 blocks			
	SVRLZ	SVWLZ	SVWTLZ	SV2RLZ	SV2WLZ	SV2WTLZ	SRZLF
24							
28							
33							
42							

Ⓜ For calculation of L Dimension Configurable Type (1mm Increment), add the above amount to the unit price of the Selectable Type longer than, and closest to this L Dimension Configurable Type.

Part Number - L
 SVRZ28 - 820

Alterations Part Number - L - (RLC, LLC~etc.)
 SVRZ28 - 640 - RLC

Alterations	Code	Spec.															
Rail End Cut Left End Cut LLC Right End Cut RLC	LLC RLC	Cuts rail ends. Ordering Code LLC <table border="1"> <tr><th>H</th><th>L Cut</th><th>N</th></tr> <tr><td>24</td><td></td><td></td></tr> <tr><td>28</td><td>10</td><td>10</td></tr> <tr><td>33</td><td></td><td></td></tr> <tr><td>42</td><td></td><td></td></tr> </table> Rail is cut with the product ID facing out (datum on other side). Ⓜ Applicable to Selectable Type only. Ⓜ Overall length will be shorter by cutting.	H	L Cut	N	24			28	10	10	33			42		
H	L Cut	N															
24																	
28	10	10															
33																	
42																	
3-Block Specifications	B3	Add 2 blocks to 1-Block product to ship as															