

Miniature Linear Guides

Wide Long Blocks, Light Preload

Features: Wide Block Type of MISUMI original specifications. Larger screw size has enhanced fastening strength compared to standard products.

MISUMI Original

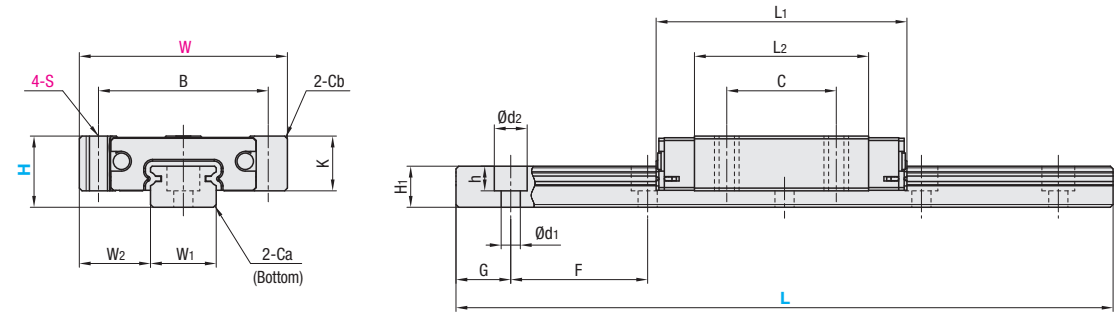


RoHS10

Blocks and rails are not sold as separate items. This Type has guaranteed radial clearances and accuracies as sets of blocks and rails.

Material Hardness	Type	L Dimension	Number of Blocks
	Light Preload High Grade Set		
Stainless Steel 56HRC~	SSELBM	Selectable	1
	SSEL2BM	Configurable	2
	SSELBML		1
	SSEL2BML	2	

Heat Resistant Temperature: -20 ~ 80°C



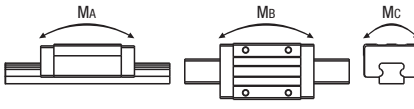
For L Configurable, G dimensions differ from those shown in the table below. For details, see P.531.

- Precautions for Use**
 - Blocks are equipped with retainers (wire) to prevent balls from falling off. For how to handle the blocks, see P.525.
 - Radial clearances and accuracies are not guaranteed if the blocks and rails are interchanged from the original set combinations.
 - Straight grooves are provided on datum planes. Be sure to match the datum lines when using.
 - Rails cannot be connected end to end.
 - The accuracy of Linear Guides is guaranteed after mounting the rail (after fastening screws on the rail and pushing it onto the datum plane).
 - Minor bending of the rail will be adjusted after being mounted and will not affect the performance.
- Accessory**
 - H8 comes with cap screws (M2x6).
- Others**
 - Filled with Lithium soap based grease (Multemp Grease PS2 by Kyodo Yushi Co., Ltd.). For operating life calculation, see P.527.
 - For operating life calculations, use our free calculation software from http://download.misumi.jp/mol/fa_soft.html.

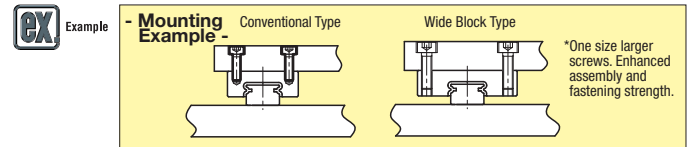
Part Number Type	H	L	Block Dimension							Guide Rail Dimension							
			W	L1	B	C	S	L2	K	Cb	W1	W2	H1	Ca	Counterbored Hole d1xd2xh	F	G
SSELBM SSEL2BM SSELBML SSEL2BML	8	40~130 (100)	24	32	19	13	M3	22	6.5	0.3	7	8.5	4.7	0.3	2.4x4.2x2.3	15	5
	10	55~275 (115)	31	40	24	16	M4	29	7.8	0.3	9	11	5.5	0.3	3.5x6x3.5	20	7.5
	13	70~470 (120)	38	45.8	31	20	M4	31.8	10	0.5	12	13	7.5	0.5	3.5x6x4.5	25	10
	16	110~670 (150)	44	58.3	36	25	M4	43.3	12	0.5	15	14.5	9.5	0.5	3.5x6x4.5	40	15
	20	160~700 (220)	54	67.7	46	30	M5	52.3	15	0.5	20	17	11	0.5	6x9.5x5.5	60	20

kgf=Nx0.101972

H	Basic Load Rating/Allowable Static Moment			Mass			
	C (Dynamic) kN	Co (Static) kN	MA N-m	Mb N-m	Mc N-m	Block kg	Guide Rail kg/m
8	1.6	2.4	7.5	7.5	9.0	0.016	0.19
10	2.2	3.7	12.3	12.3	13.0	0.03	0.31
13	3.5	5.3	24.5	26.4	32.3	0.06	0.61
16	5.8	8.7	57.8	62.6	67.6	0.10	1.02
20	7.2	13.5	80.7	80.7	138.2	0.18	1.65



Preload and Accuracy Standards		Specifications	Light Preload, High Grade
Radial Clearance			-3~0
Height H Tolerance			±20
Pair Variation of Height H			15
Width W2 Tolerance			±25
Pair Variation of Width W2			20
Running Parallelism of Plane C against Plane A			See P.525
Running Parallelism of Plane D against Plane A			See P.525



H	L	Unit Price	
		SSELBM	SSEL2BM
8	40		
	55		
	70		
	85		
	100		
	115		
	130		
10	55		
	75		
	95		
	115		
	135		
	155		
	175		
	195		
	215		
	235		
13	255		
	275		
	70		
	95		
	120		
	145		
	170		
	195		
	220		
	245		
	270		
	295		
	320		
345			
370			
395			
420			
445			
470			
16	110		
	150		
	190		
	230		
	270		
	310		
	350		
	390		
	430		
	470		
20	510		
	550		
	590		
	630		
	670		
	160		
	220		
	280		
	340		
	400		
460			
520			
580			
640			
700			

H	Unit Price	
	SSELBML	SSEL2BML
8		
10		
13		
16		
20		

For calculation of L Dimension Configurable Type (1mm Increment), add the above amount to the unit price of the Selectable Type longer than, and closest to this L Dimension Configurable Type.

Ordering Example

Part Number - L

SSELBM10 - 275

SSELBM10L - 75 (L Type Greased)

SSELBM10G - 75 (G Type Greased)

Alternative grease types available.

P.531

Alterations

Part Number - L - (MC, RLC, LLC, B3, B4)

SSEL2BM16 - 430 - MC - RLC

Alterations	Code	Spec.
Tapped Hole	MC	Changes the rail mounting holes from counterbored holes to tapped holes.
Rail End Cut	LLC	Cuts rail ends.
Rail is cut with the product ID facing out (datum on other side).	RLC	Applicable to Selectable Type only. Overall length will be shorter by cutting. Not applicable to H8/20.
3-Block Specifications	B3	Add 2 blocks to 1-block product to ship as 3-block separate item.
4-Block Specifications	B4	Add 3 blocks to 1-block product to ship as 4-block separate item.

Additional Block Price			Selectable Shortest Rail Length for B3/B4		
H	B3: Price Adder	B4: Price Adder	H	B3 (3-block)	B4 (4-block)
8			8	115	-
10			10	155	195
13			13	170	220
16			16	230	270
20			20	280	340

Options for Linear Guide

Position Retaining Parts

Block / Rail Fixing Parts

Rail Push Plates

Linear Lock

Rail Height Adjusting Blocks

Block Derailment Prevention Parts

Linear Guide Lock Units

Stopper Bolts