

# Super Compact Strut Clamps / Resin Compact Strut Clamps

Equal / Unequal Dia., Perpendicular Configuration    Equal Dia., Perpendicular Configuration

# Super Compact Strut Clamps / Strut Clamps

Equal / Unequal Dia., Perpendicular Configuration with Wing Knobs    Equal Dia., Perpendicular Configuration with Clamp Levers

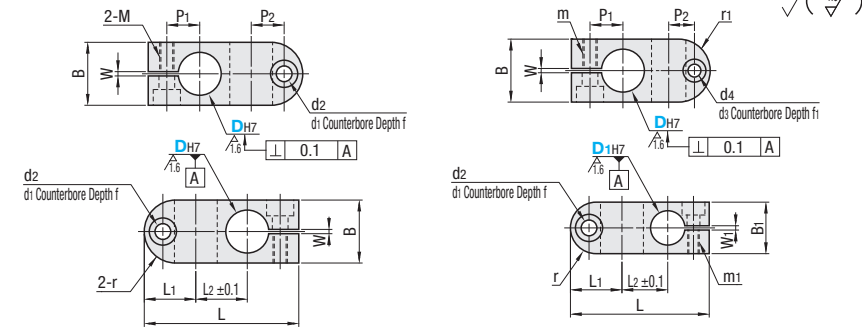
■ Features: Affordable and compact Strut Clamps.

■ Super Compact Strut Clamps  
Equal / Unequal Dia.,  
Perpendicular Configuration

Type		Material	Surface Treatment	Accessory
Equal Dia.	Unequal Dia.			
ALKC	ALNC	Aluminum Alloy	Black Anodize	Hex Socket Head Cap Screw
ALKW	ALNW		Clear Anodize	

Equal Dia., Perpendicular Configuration (ALKC, ALKW)

Unequal Dia., Perpendicular Configuration (ALNC, ALNW)



RoHS10

■ Equal Dia., Perpendicular Configuration

Part Number	Type	DH7	B	L	L1	L2	r	P1	P2	m	Counterbored Hole			W	Unit Price
											d1	d2	f		
ALKC ALKW	6	+0.012 0	10	29	10.5	8	5	6.5	6.5	M3	6.5	3.5	3.5	1	ALKC, ALKW
	8	+0.015 0	12	32	11	10	6	7	7	M4	8	4.5	4.5	1.5	
	10	+0.018 0	16	39	13.5	12	8	8.5	8.5						
	12	+0.018 0	18	43	14	15	9	9	9						
	15	+0.018 0	22	54	18	18	11	11.5	11.5						

■ Unequal Dia., Perpendicular Configuration

Part Number	Type	DH7	D1H7	B	B1	L	L1	L2	r	r1	P1	P2	m	Counterbored Hole			W	Unit Price	
														d1	d2	f			
ALNC ALNW	8	+0.015 0	6	+0.012 0	12	10	31.5	11	10	5	6	7	6.5	M3	6.5	3.5	3.5	1	ALNC, ALNW
	10	+0.015 0	6	+0.012 0	16	12	37.0	12	12	6	8	8.5	7	M4	8	4.5	4.5	1	
	10	+0.015 0	8	+0.015 0	16	12	36.5	12	12	6	8	8.5	7	M4	8	4.5	4.5	1.5	
	12	+0.018 0	8	+0.015 0	18	14	40.0	14	14	7	9	9	7.5	M4	8	4.5	4.5	1	
	12	+0.018 0	10	+0.015 0	18	14	39.5	14	14	7	9	9	7.5	M4	8	4.5	4.5	1.5	
	15	+0.018 0	10	+0.015 0	22	18	49.0	18	16	9	11	11.5	9	M5	9.5	5.5	5.5	1.5	
15	+0.018 0	12	+0.018 0	22	18	48.5	18	16	9	11	11.5	9	M5	9.5	5.5	5.5	1.5		

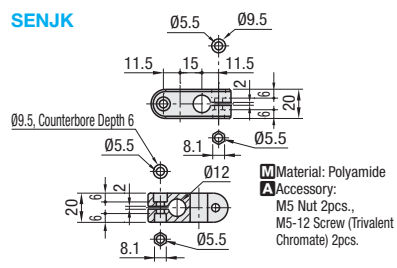
⚠ The tolerance and perpendicularity of DH7 and D1H7 are the tolerances before slitting.  
⚠ For mating, g6, f8 shaft tolerances are recommended. Tightening with a long wrench is recommended.

Ordering Example: Part Number - D1  
ALKC8 - 8  
ALNC10 - 8

Included Screw: Equal Dia., Perpendicular Configuration				Included Screw: Unequal Dia., Perpendicular Configuration			
D	Included Screw	D	D1	Included Screw	D	D1	Included Screw
6	M3-6	8	6	M3-6, M3-8	10	8	M4-6, M4-10
8	M3-8	10	8	M3-8, M4-10	12	10	M4-8, M4-12
10	M4-10	12	10	M3-10, M4-12	15	10	M5-12, M5-15
12	M4-12	15	10	M4-12, M5-15	15	12	M4-12, M5-15

■ Features: Affordable Strut Clamps when purchased 10 pcs. or more. Suitable for applications where many are needed, such as for Conveyers, etc. ⚠ For clamps in stand sets for mounting sensors, refer to P2057, 2058

■ Resin Compact Strut Clamps  
Equal Dia., Perpendicular  
Configuration

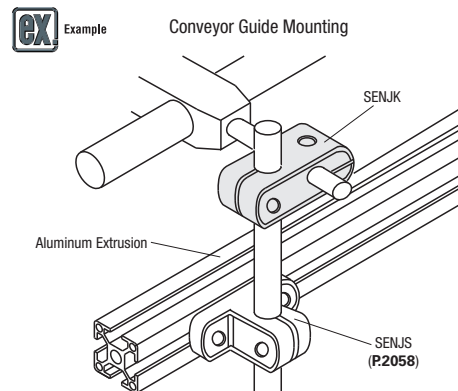


RoHS10

⚠ Resin clamps are not suitable for supporting heavy objects.

Ordering Example: Part Number  
SENJK

Part Number	Unit Price	Volume Discount Rate
SENJK	1 ~ 9 pc(s)	10 ~ 50 pcs.



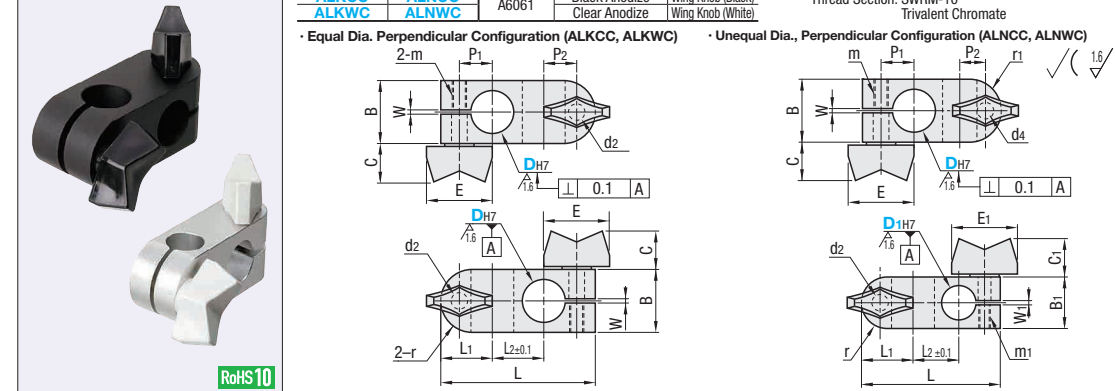
■ Features: Affordable and compact Strut Clamps. Easy setup changes with wing knobs.

■ Equal / Unequal Dia., Perpendicular  
Configuration with Wing Knobs

Type		Material	Surface Treatment	Accessory
Equal Dia.	Unequal Dia.			
ALKCC	ALNCC	A6061	Black Anodize	Wing Knob (Black) Wing Knob (White)
ALKWC	ALNWC		Clear Anodize	

\* Head of Wing Knob: Nylon 66  
Thread Section: SWRM-10  
Trivalent Chromate

• Equal Dia., Perpendicular Configuration (ALKCC, ALKWC)    • Unequal Dia., Perpendicular Configuration (ALNCC, ALNWC)



RoHS10

■ Equal Dia., Perpendicular Configuration with Wing Knobs

Part Number	Type	DH7	B	L	L1	L2	r	P1	P2	d2	m	W	Wing Knob		Unit Price
													E	C	
ALKCC ALKWC	6	+0.012 0	10	29	10.5	8	5	6.5	6.5	3.5	M3	1	18	10.5	ALKCC, ALKWC
	8	+0.015 0	12	32	11	10	6	7	7	4.5	M4	1.5	28	15	
	10	+0.018 0	16	39	13.5	12	8	8.5	8.5						
	12	+0.018 0	18	43	14	15	9	9	9						
	15	+0.018 0	22	54	18	18	11	11.5	11.5						

■ Unequal Dia., Perpendicular Configuration with Wing Knobs

Part Number	Type	DH7	D1H7	B	B1	L	L1	L2	r	r1	P1	P2	d4	m	W	Wing Knob		Unit Price	
																E	C		
ALNCC ALNWC	8	+0.015 0	6	+0.012 0	12	10	31.5	11	10	5	6	7	6.5	3.5	M3	1	18	10.5	ALNCC, ALNWC
	10	+0.015 0	6	+0.012 0	16	12	37	12	12	6	8	8.5	7	4.5	M4	1.5	18	10.5	
	10	+0.015 0	8	+0.015 0	16	12	36.5	12	12	6	8	8.5	7	3.5	M4	1.5	18	10.5	
	12	+0.018 0	8	+0.015 0	18	14	40	14	14	7	9	9	7.5	4.5	M4	1.5	18	10.5	
	12	+0.018 0	10	+0.015 0	18	14	39.5	14	14	7	9	9	7.5	3.5	M4	1.5	18	10.5	
	15	+0.018 0	10	+0.015 0	22	18	49	18	16	9	11	11.5	9	5.5	M5	1.5	28	15	
15	+0.018 0	12	+0.018 0	22	18	48.5	18	16	9	11	11.5	9	4.5	M5	1.5	18	10.5		

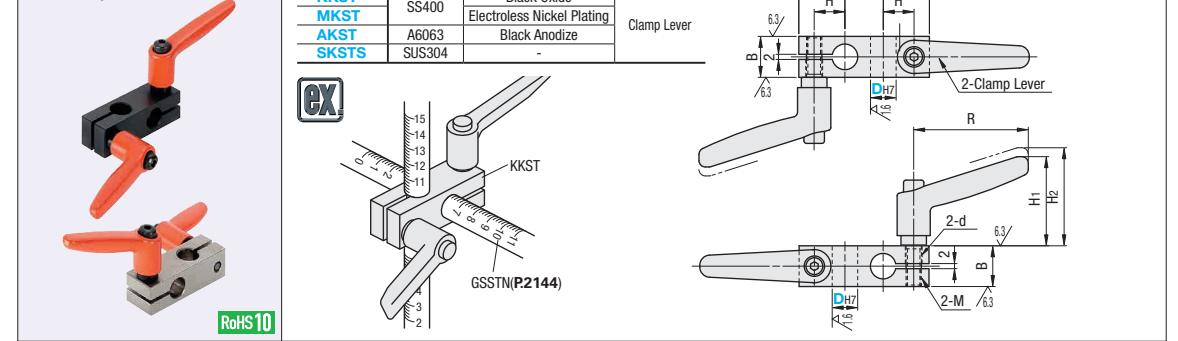
⚠ The tolerance and perpendicularity of DH7 and D1H7 are the tolerances before slitting.  
⚠ For mating, g6, f8 shaft tolerances are recommended. ⚠ Do not tighten the wing nut unless the shaft is set in D part.

Ordering Example: Part Number - D1  
ALKCC8 - 8  
ALNCC10 - 8

■ Features: Easy setup changes, suitable for frequent changes.

■ Equal Dia., Perpendicular Configuration  
with Clamp Levers

Type	Material	Surface Treatment	Accessory
KKST	SS400	Black Oxide	Clamp Lever
MKST	SS400	Electroless Nickel Plating	
AKST	A6063	Black Anodize	
SKSTS	SUS304	-	



RoHS10

Part Number	Type	DH7	A	B	E	F	H	M	d	R	H1	H2	Clamp Lever	Unit Price			
														KKST	MKST	AKST	SKSTS
KKST MKST AKST (D≤30) SKSTS (D≤30)	10	+0.015 0	51	16	18	15	12	M6	6.6	45	35	38.5	CLDM 6-16-M				
	12	+0.018 0	54	19	18	18	12	M8	9	63	45.5	49	CLDM 6-20-M				
	15	+0.018 0	69	22	24	21	16						CLDM 8-20-M				
	20	+0.021 0	78	28	26	26	19	CLDM 8-25-M									
	25	+0.021 0	97	36	32	33	23	M10	11	78	55	59	CLDM 10-32-M				
	30	+0.021 0	105	40	34	37	25	CLDM 10-40-M									
	35	+0.025 0	121	45	39	43	29	M12	13	92	67	71	CLDM 12-40-M				

⚠ Available D Dimension for AKST and SKSTS is up to 30. ⚠ The tolerance and perpendicularity of DH7 are before slitting. ⚠ For mating, g6, f8 shaft tolerances are recommended.

Ordering Example: Part Number  
KKST20  
SKSTS15