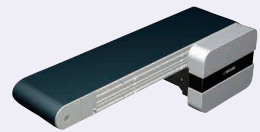


Flat Belt Conveyor Full Belt Type

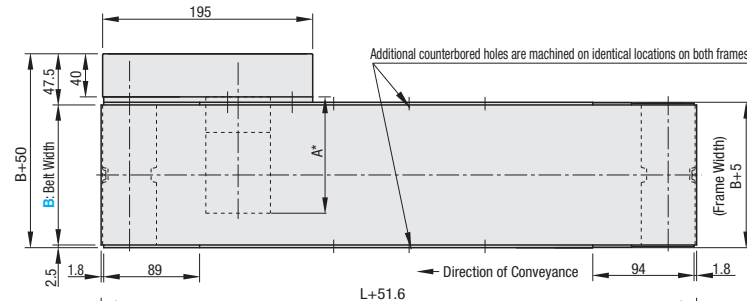
With Meandering Prevention Crosspiece, Head Drive, 3-Groove Frame (Pulley Dia. 50mm)

Dedicated web site <http://fa.misumi.jp/cvs/>
 Conveyor selecting, component purchases, and easy search for maintenance parts are available.

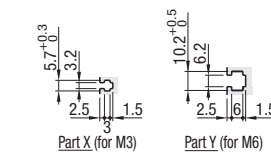
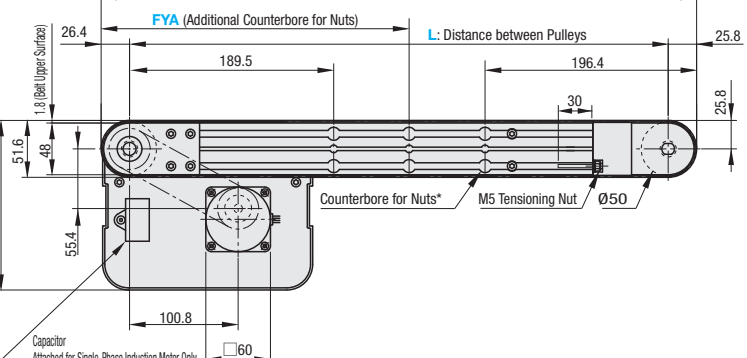
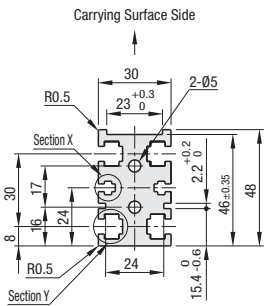
■ **Features:** Conveyor with full width belt that the entire surface can be used for transporting. Meandering can be prevented by the use of crosspiece.



CVSFD 6W Motor Type

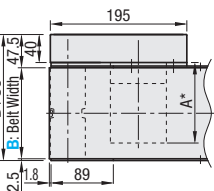


Frame Cross Section and Enlarged View (Symmetrical)

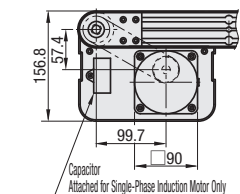
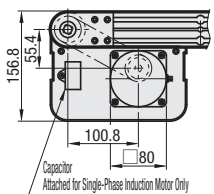
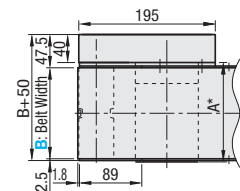


⊕ Compatible with JIS standard hex nuts.

25W Motor Type



40W Motor Type



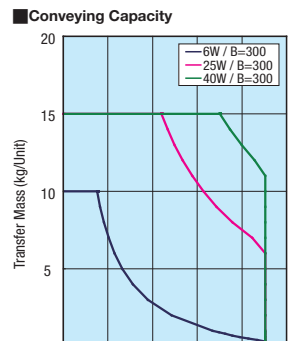
*When L≤415, counterbores for the nuts will not be provided. However, each slot has 4 pre-inserted nuts provided.

⊕ The dimensions in the diagram is for Belt Specifications H (0.8mm THK). Take note that belt thickness varies by Belt Specifications. For Belt Specifications, see P.1279-.

⊕ The Y section of the frame is used for pulley holder mounting. The nuts cannot be moved to this area.

* A Dimension Details			
Output (W)	Motor Specification	Manufacturer	Reduction Ratio
6W	Induction Motor	Panasonic	12.5-25 101.0
		Oriental	12.5-25 105.0
		Taiwanese	12.5-25 115.0
	Variable Speed Motor	Oriental	90-180 120.7
		Taiwanese	90-180 129.9
		Taiwanese	90-180 132.9
25W	Induction Motor	Panasonic	5-180 115.0
		Oriental	5-18 117.0
		Taiwanese	25-180 127.5
	Variable Speed Motor	Oriental	5-18 127.0
		Taiwanese	25-180 137.5
		Taiwanese	5-75 139.5

Conveying Capacity			
Output (W)	Motor Specification	Manufacturer	Reduction Ratio
40W	Induction Motor	Panasonic	5-180 142.0
		Oriental	5-18 147.0
		Taiwanese	25-180 165.0
	Variable Speed Motor	Oriental	5-75 161.6
		Taiwanese	90-180 170.6
		Taiwanese	5-18 157.0
6W	Induction Motor	Panasonic	5-180 142.0
		Oriental	5-18 147.0
		Taiwanese	25-180 165.0
	Variable Speed Motor	Oriental	5-75 161.6
		Taiwanese	90-180 170.6
		Taiwanese	5-18 157.0



Gearhead Reduction Ratio			
Reduction Ratio	50Hz	60Hz	
5	47.1	56.5	
7.5	31.4	37.7	
9	26.2	31.4	
12.5	18.8	22.6	
15	15.7	18.8	
18	13.1	15.7	
25	9.4	11.3	
30	7.9	9.4	
36	6.5	7.9	
50	4.7	5.7	
60	3.9	4.7	
75	3.1	3.8	
90	2.6	3.1	
100	2.4	2.8	
120	2.0	2.4	
150	1.6	1.9	
180	1.3	1.6	

*Reference Value may differ by selected Belt.

Part Number	B 10mm Increment	L 5mm Increment	Motor				Belt Specification	FYA (Additional Counterbores) 5mm Increment	Motor Manufacturer Selection
			Output (W)	Voltage (V)	Specification	Gearhead Reduction Ratio			
CVSFD	80-300	320-2000	6	TA115 (Single-phase)	IM (Induction Motor)	5 7.5 9 12.5 15	H (General Purpose, Green) W (General Purpose, White) G (For Sliding, Green) S (For Sliding, White) D (For Electronic Parts Transfer) O (Oil Resistant) N (Non-adhesive) J (No Belt)	240<FYA<L-220	A (Panasonic Motor) B (Oriental Motor) C (Taiwanese Motor)
			25	SA220 (3-Phase) SA230 (3-Phase)	SCM (Variable Speed Motor)	18 25 30 36 50 60 75 90 100 120 150 180			
			25	SA220 (3-Phase) SA230 (3-Phase)	IM (Induction Motor)	⊗5-9 not applicable for 6W Motor			
			6	NV (No Motor)	NM (No Motor)	NH (No Gearhead)			

- ⊕ Connect the motor so that the belt rotates in the direction of conveyance. For connection diagram, and details of motor, see P.1267 onward.
- ⊕ When "No motor, gearhead" is selected, the motor mounting hole pitch will vary depending on the motor's power rating. Please see Technical Information in our Conveyor Selection web site for the dimension details.
- ⊕ When "No motor, gearhead" is selected, this unit will be delivered unassembled. The customer is to assemble the unit according to the included assembly instructions. See our Conveyor Selection site for assembly procedures and packaging details.
- ⊕ Note that warpage might occur in belts with meandering prevention crosspiece depending on the number of plies (thickness).

Belt Specification	Standard Belt (Body Price Only)	Optional Belt 1	Optional Belt 2	No Belt
General Purpose	H (Green), W (White)	-	-	J (No Belt)
For Sliding	G (Green), S (White), SN (White)	-	-	
For Inclined Transfer	-	-	-	
Grip Type	-	-	GG (Green), GW (White)	
Oil Resistant	O (Green)	OW (White)	-	
Non-adhesive	N (White)	NB (Sky Blue), NBG (Lime Green), HH (Green), HW (White)	-	
For Food Transfer	-	KW (White), KSB (Sky Blue), PHB (Sky Blue)	-	
For Electronic Parts Transfer	D (Black)	-	-	

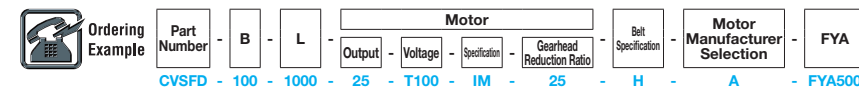
- ⊕ For flat belt details, see P.1279 onward.
- ⊕ In case of selecting Optional Belts, please select motor manufacturer A or B (Motor C is applicable for Standard Belt only).

Part Number	B	Body Price 1 - 2 pc(s)																	
		L320-400	L405-500	L505-600	L605-700	L705-800	L805-900	L905-1000	L1005-1100	L1105-1200	L1205-1300	L1305-1400	L1405-1500	L1505-1600	L1605-1700	L1705-1800	L1805-1900	L1905-2000	
CVSFD	80-100																		
	110-150																		
	160-200																		
	210-250																		
	260-300																		

⊕ For orders larger than indicated quantity, please check with WOS.

Motor Spec. Price	Motor Output	Specification	A (Panasonic Motor)	B (Oriental Motor)	C (Taiwanese Motor)	R (No Motor, Gearhead)
	6W	IM				
	25W	SCM				
	40W					

Belt Spec. Price	Standard Belt	Optional Belt 1	Optional Belt 2	No Belt



Ex.) For No Belt: CVSFD-100-1000-25-T100-SCM-25-J-F300-B
 Ex.) For Optional Belt 2: CVSFD-100-1000-25-T100-SCM-25-HY
 Ex.) For No Motor, Gearhead: CVSFD-100-1000-25-NV-NM-NH-H-F300-R

⇒ Body Price + Motor, Belt Spec. Price = Unit Price

Alterations
Motor Position Reversed
Motor Cover with Window
Brackets for Speed Controller Included
Post-Assembly Insertion Nuts Included
Motor with Terminal Box
Stands (Legs)

For details of alterations, see P.1264 onward.