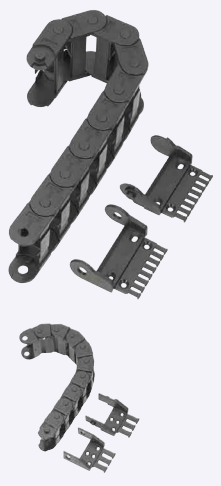


Cable Carriers

Slit Type

~ For Customers purchasing Links, Mounting Brackets only ~

Please select Part Numbers in Sets inserted in this catalog. This saves time of placing order, and enables more economical purchase than purchase of single units.



Cable link assembly is not required.

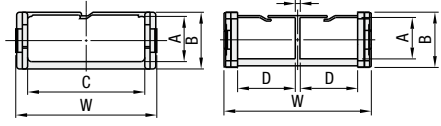
Outer Radius Mount Main Body + Flange	Inner Radius Mount Main Body + Flange
SE045F	SZ045F
SE08F	SZ08F
SE14F	SZ14F
SE16F	SZ16F
SE200F	SZ200F
SE300F	SZ300F

Cautions

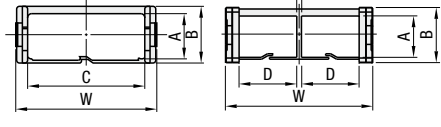
- ⚠ A package includes a cable carrier assembled with specified number of links and two corresponding flanges (1 Moving End + 1 Fixed End).
- ⚠ Install the mounting bracket fixed end on the lower side, and moving end on the upper side. (Refer to the Positional Relationship in External Dimension Diagram)
- ⚠ Insert cables through slits (openings) on the external or internal circumference.

Cross-Section

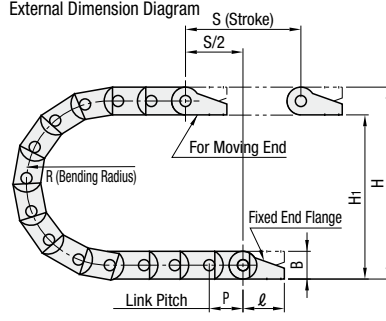
Outer Radius Mount
SE200F-2, 3 SE300F-2



Inner Radius Mount
SZ200F-2, 3 SZ300F-2



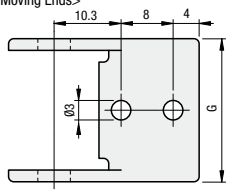
External Dimension Diagram



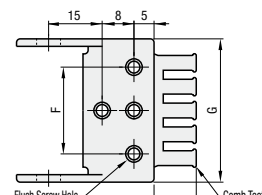
Material: Special Plastic Operating Temp.: -30°C ~ 100°C Flammability Standard: UL94-V2

Flange Dimension Diagram

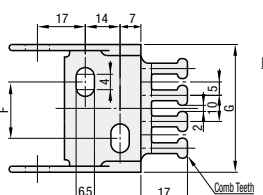
SE045F, SZ045F



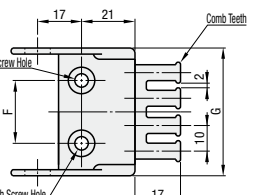
SE08F, SZ08F



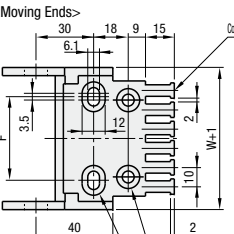
SE14F, SZ14F



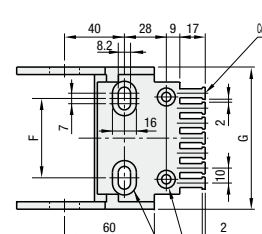
SE16F, SZ16F



SE200F, SZ200F

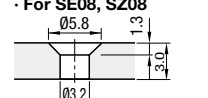


SE300F, SZ300F

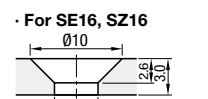


Details of Countersink Screw Holes

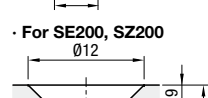
For SE08, SZ08




For SE16, SZ16




For SE200, SZ200



Inserting Cables



Removing Cables

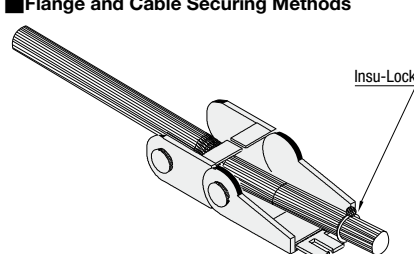


The cable can be removed by just pulling out.

Part Number Type	No.	Bending Radius	Number of Links	H (Mounting Height)	H ₁	HF (Required Physical Height)	K (Arc + Allowance)	P	B	ℓ
SE045F SZ045F	16	018	1~27	50	37.5	60	95	13	12.5	22.3
		028	1~29	70	57.5	80	120			
		038	1~31	90	77.5	100	145			
SE08F SZ08F	16 20 30 40 50	028	1~37	76	56.7	91	130	20	19.3	28
		048	1~40	116	96.7	131	190			
		028	1~30	82	57	92	150			
		038	1~30	102	77	112	185			
		048	1~30	122	97	132	215			
SE14F SZ14F	1 2 3 4	075	1~30	177	152	187	300	30.5	25	38
		100	1~33	227	202	237	375			
		060	1~30	159	120	174	270			
		075	1~30	189	150	204	305			
SE16F SZ16F	2 3 4	100	1~33	239	200	254	395	30.5	39	38
		055	1~28	145	110	185	276			
		075	1~30	185	150	225	346			
		100	1~31	235	200	275	414			
SE200F SZ200F	1 2 3	150	1~35	335	300	375	578	46	35	72
		200	1~38	435	400	475	742			
		075	1~29	215	148	255	400			
		100	1~30	265	198	305	500			
		125	1~33	315	248	355	650			
		150	1~33	365	298	405	725			
SE300F SZ300F	1 2	200	1~36	465	398	505	875	67	64	94
		250	1~38	565	498	605	1050			
		300	1~41	665	598	705	1225			
		075	1~29	215	148	255	400			
		100	1~30	265	198	305	500			
		125	1~33	315	248	355	650			

Part Number Type	No.	Bending Radius	A	B	C	D	E	W	F	G	Number of Comb Teeth	Weight per Link (g)
SE045F SZ045F	16	018	9.4	12.5	16	-	-	23	-	22	-	1.4
		028										
		038										
SE08F SZ08F	16 20 30 40 50	028	14.6	19.3	16	-	-	24.2	-	24.2	2	3.1
		038			20	-	-	28.2	-	28.2	2	3.2
		048			30	-	-	38.2	22	38.2	3	3.6
					40	-	-	48.2	32	48.2	4	4
					50	-	-	58.2	42	58.2	5	4.8
SE14F SZ14F	1 2 3 4	028	19	25	15	-	-	27	-	26.3	2	9.3
		038			25	-	-	37	10	36.3	3	9.6
		048			38	-	-	50	23	49.3	4	12
		075			50	-	-	62	35	61.3	5	13
SE16F SZ16F	2 3 4	060	32	39	23	-	-	37.5	12	35.5	3	15.5
		075			36	-	-	50.5	25	48.5	4	17.3
		100			48	-	-	62.5	37	60.5	5	18.8
					57	-	-	74.4	44	-	6	32
SE200F SZ200F	1 2 3	055	24.3	35	-	37	3	94.4	64	-	8	36
		075			-	50	3	120.4	90	-	10	38
		100										
SE300F SZ300F	1 2	075	48.5	64	75	-	-	95	53	95	7	107
		100										
		125										
		150										
		200										
		300										

Flange and Cable Securing Methods



Mounting Direction

Commonly used for both outer and inner circumferences; however, can not be mounted on the outer circumference for SE045F and SZ045F.

For Moving Ends

- Mounting on the Outer Circumference
- Mounting on the Inner Circumference

For Fixed Ends

- Mounting on the Outer Circumference
- Mounting on the Inner Circumference

⚠ In the case of new designs, there may be a possibility that carrier links run short. It is recommended that links are selected longer by one or two links, and are adjusted (removed) at the time of installing (removing) device.

⚠ For assembling Links and Brackets of S_200F, S_300F, use of Pliers is recommended.

Ordering Example: Part Number - Bending Radius - Number of Links

Example: SE14F-3 - 048 - 20

Cables are inserted in from the outer and inner circumference, and its end comb teeth are fixed in place with cable ties.