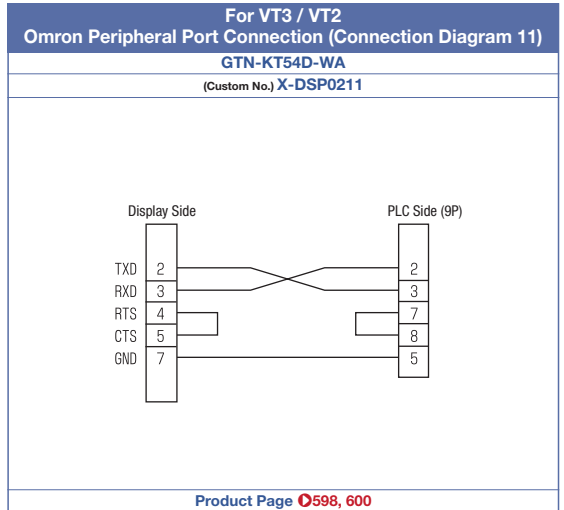
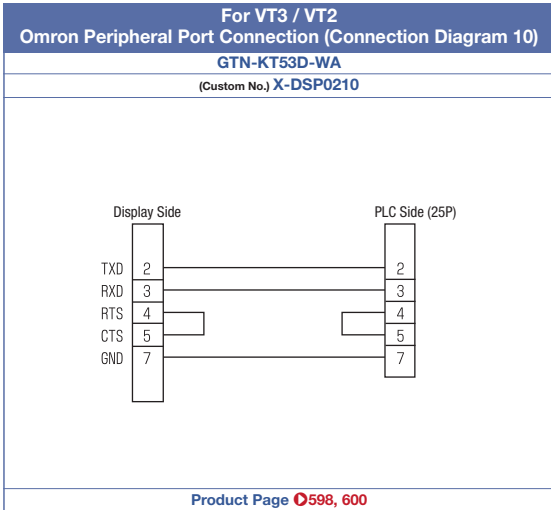
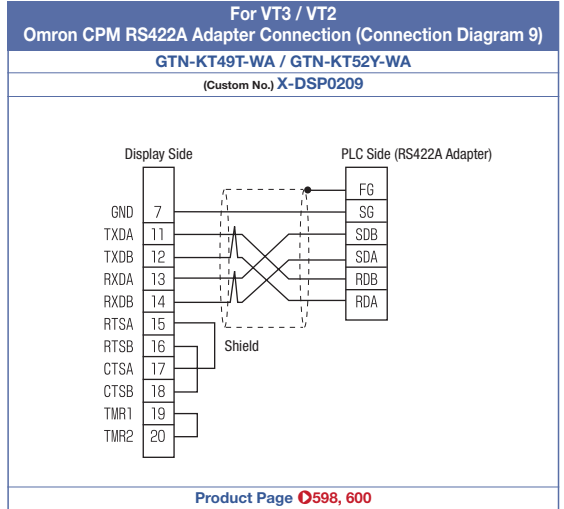
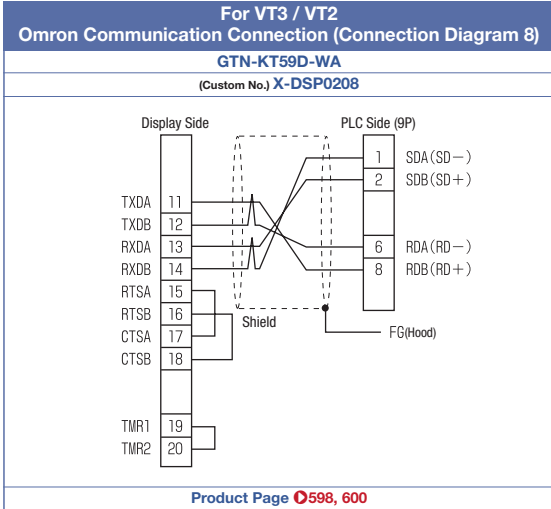


▼ Keyence VT3 / VT2 Series Supported Cable Connection (Mark Tube Printing) Figure



\*When ordering, put the custom No. at the end of the model number.  
(See the product page for the model number)  
\*Cables are selected according to the number of required pins.  
\*The connection diagram is in compliance with the Keyence VT3 PLC Connection Manual.

- Selection Method of Connector Included Cable
- Square Connector Included Cable
- Coaxial Connector Included Cable
- Cable with Round Connector
- Nylon Connector Included Cable
- Custom Service
- Connector Included Cable Documents