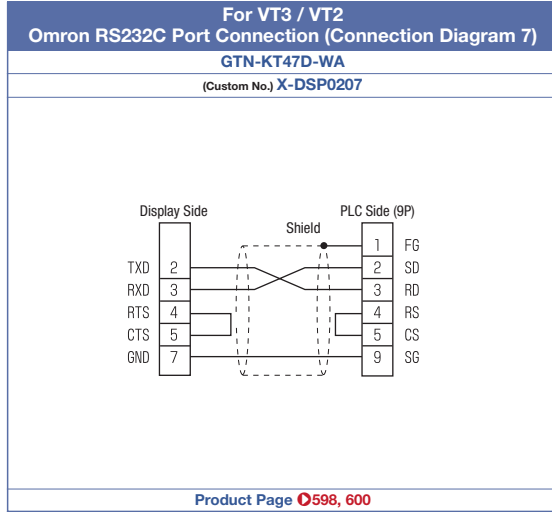
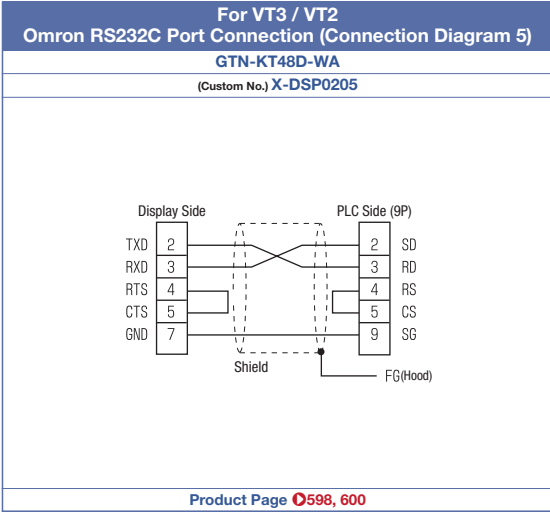
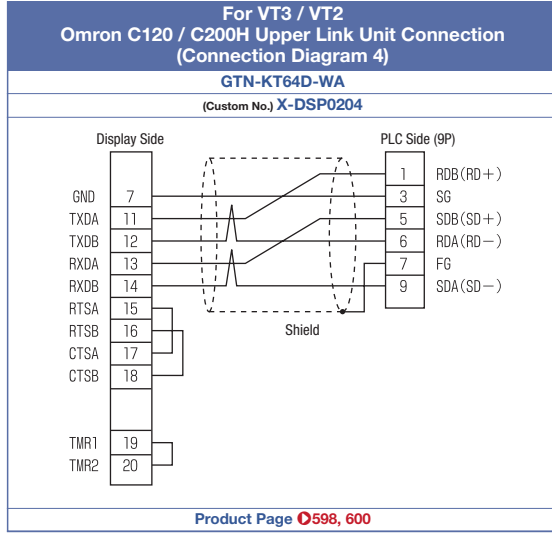
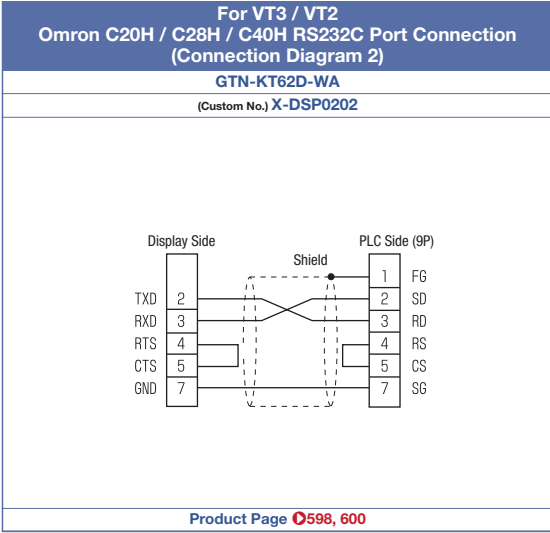


▼ **Keyence VT3 / VT2 Series Supported Cable Connection (Mark Tube Printing) Figure**



*When ordering, put the custom No. at the end of the model number.
(See the product page for the model number)
*Cables are selected according to the number of required pins.
*The connection diagram is in compliance with the Keyence VT3 PLC Connection Manual.

Connector
Included Cable
Documents