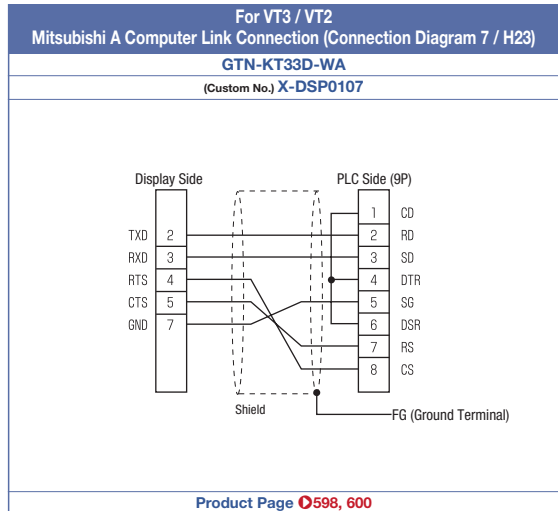
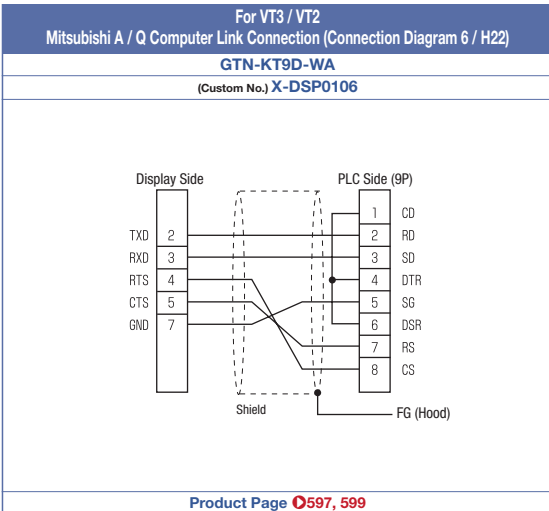
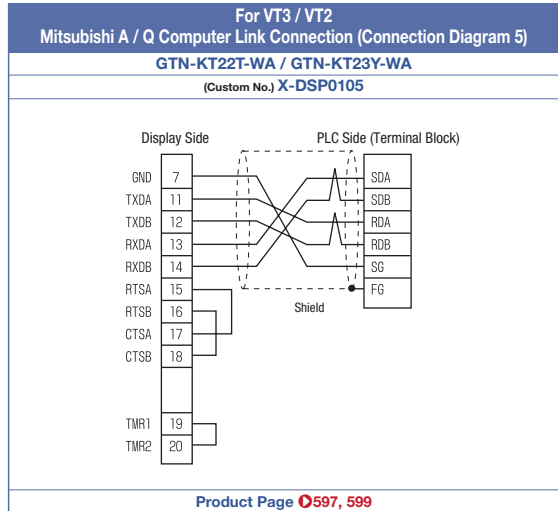
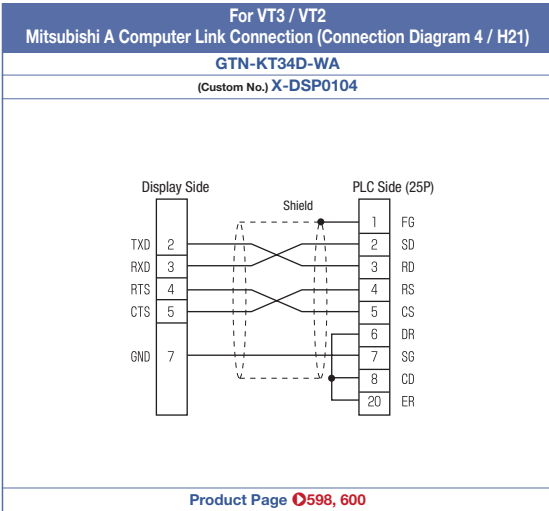
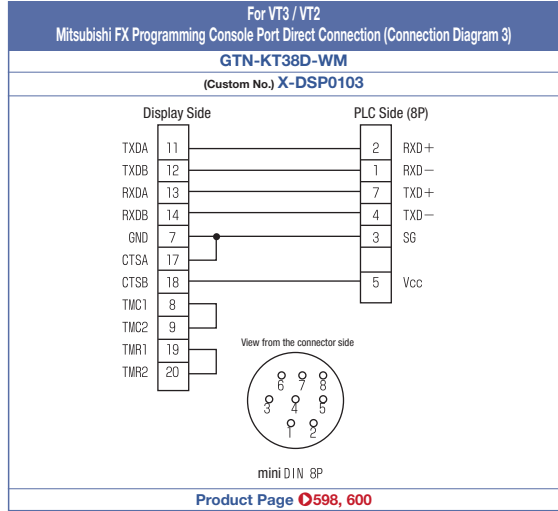
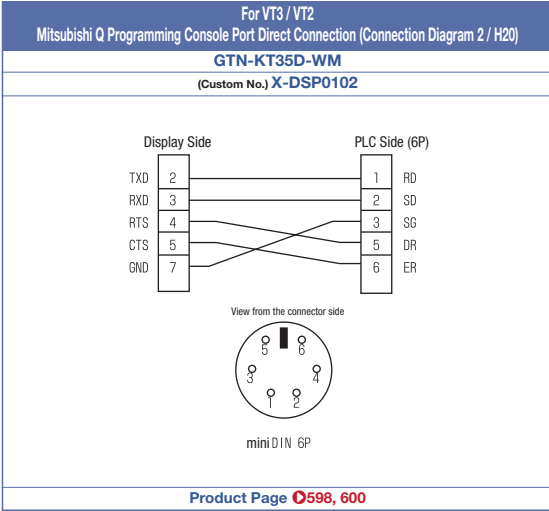


▼ Keyence VT3 / VT2 Series Supported Cable Connection (Mark Tube Printing) Figure



* When ordering, put the custom No. at the end of the model number.
(See the product page for the model number)

* Cables are selected according to the number of required pins.

* The connection diagram is in compliance with the Keyence VT3 PLC Connection Manual.

Connector
Included Cable
Documents