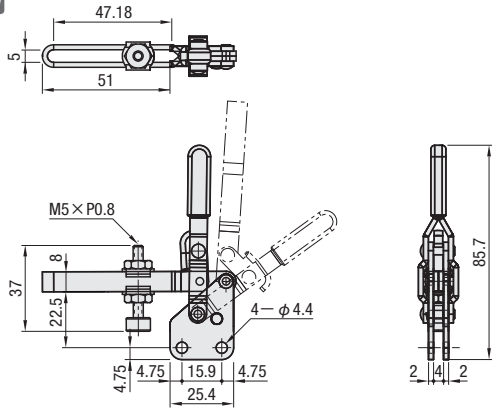


Part Number	MC04-1LS	Open-Close Angle of Arm	100°
		Open-Close Angle of Handle	56°
Body Material	SS400	Mounting Bolt	M4
Surface Treatment	Trivalent Chromate	Fixing Pitch	15.9
Accessory	Bolt with Rubber Material NBR Hardness Shore A70	Suppress Pressure(N)	186
Unit Price Qty. 1-19	18.77	Tare(g)	75

MC04-1LS

New

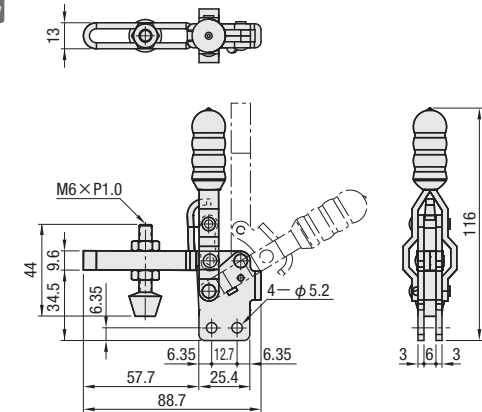


RoHS

Part Number	MC04-2LS	Open-Close Angle of Arm	95°
		Open-Close Angle of Handle	60°
Body Material	SS400	Mounting Bolt	M5
Surface Treatment	Trivalent Chromate	Fixing Pitch	12.7
Accessory	Bolt with Rubber Material NBR Hardness Shore A70	Suppress Pressure(N)	392
Unit Price Qty. 1-19	16.69	Tare(g)	175

MC04-2LS

New

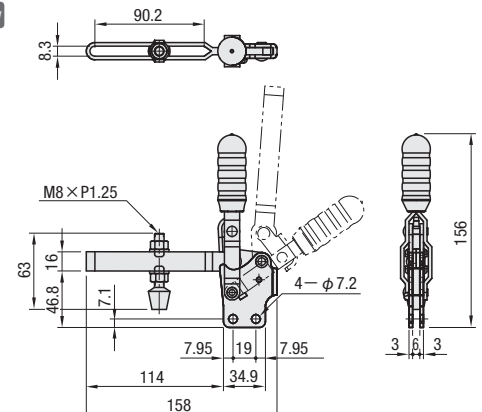


RoHS

Part Number	MC04-3LS	Open-Close Angle of Arm	100°
		Open-Close Angle of Handle	56°
Body Material	SS400	Mounting Bolt	M6
Surface Treatment	Trivalent Chromate	Fixing Pitch	19
Accessory	Bolt with Rubber Material NBR Hardness Shore A70	Suppress Pressure(N)	784
Unit Price Qty. 1-19	27.27	Tare(g)	370

MC04-3LS

New

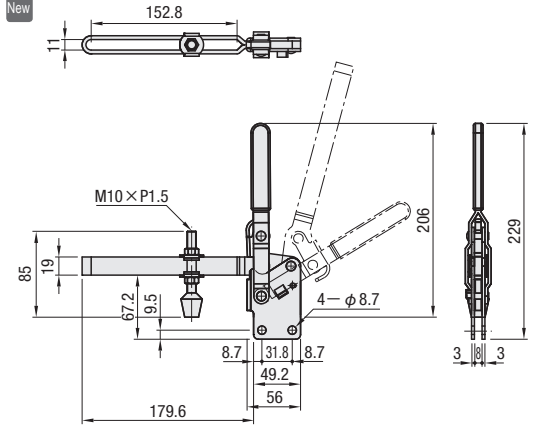


RoHS

Part Number	MC04-4LS	Open-Close Angle of Arm	106°
		Open-Close Angle of Handle	58°
Body Material	SS400	Mounting Bolt	M8
Surface Treatment	Trivalent Chromate	Fixing Pitch	31.8
Accessory	Bolt with Rubber Material NBR Hardness Shore A70	Suppress Pressure(N)	1078
Unit Price Qty. 1-19	36.90	Tare(g)	815

MC04-4LS

New

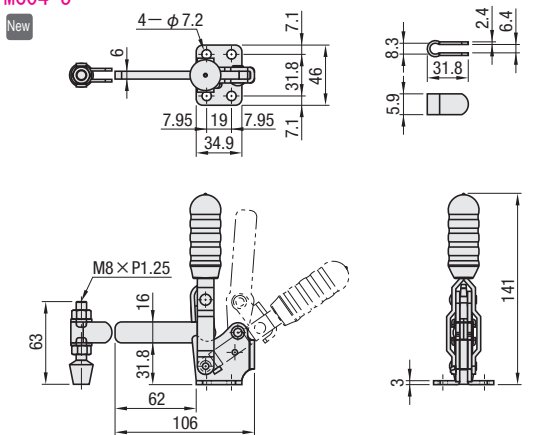


RoHS

Part Number	MC04-5	Open-Close Angle of Arm	100°
		Open-Close Angle of Handle	56°
Body Material	SS400	Mounting Bolt	M6
Surface Treatment	Trivalent Chromate	Fixing Pitch	31.8 x 19
Accessory	Bolt with Rubber Material NBR Hardness Shore A70	Suppress Pressure(N)	2270
Unit Price Qty. 1-19	19.25	Tare(g)	340

MC04-5

New



RoHS