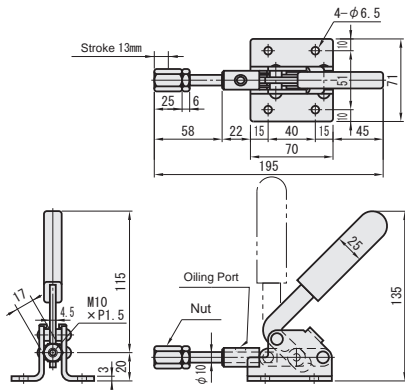


Part Number	TC51BS	Open-Close Angle of Handle	45°
Body Material	SS400	Mounting Bolt	M6
Surface Treatment	Bright Chromate Plating	Fixing Pitch	51 × 40
		Suppress Pressure(N)	1568
Unit Price Qty. 1~9	29.52	Tare(g)	480
		Stroke(mm)	13

TC51BS

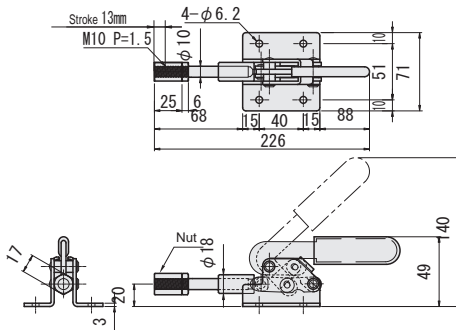
Old



Part Number	TC51BSX	Open-Close Angle of Handle	42°
Body Material	SS400	Mounting Bolt	M6
Surface Treatment	Bright Chromate Plating	Fixing Pitch	51 × 40
		Suppress Pressure(N)	1600
Unit Price Qty. 1~9	29.36	Tare(g)	450
		Stroke(mm)	13

TC51BSX

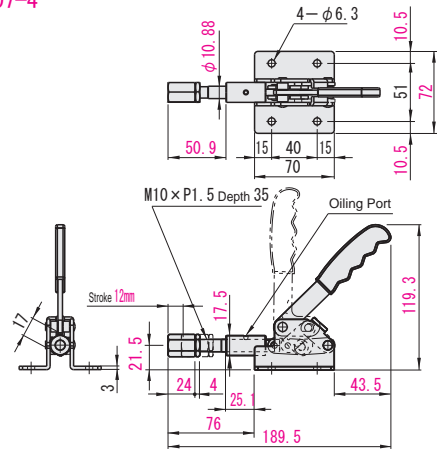
Old



Part Number	MC07-4	Open-Close Angle of Handle	45°
Body Material	SS400	Mounting Bolt	M6
Surface Treatment	Trivalent Chromate	Fixing Pitch	51 × 40
		Suppress Pressure(N)	1568
Unit Price Qty. 1~19	23.75	Tare(g)	460
		Stroke(mm)	12

MC07-4

New

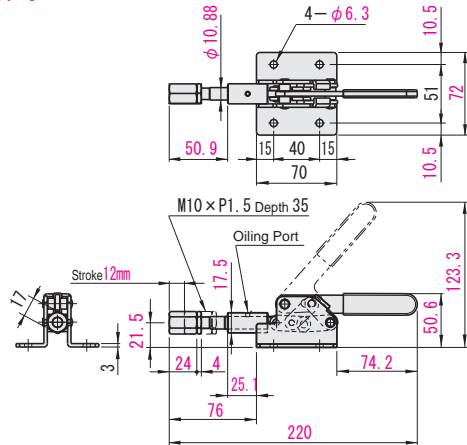


RoHS

Part Number	MC07-5	Open-Close Angle of Handle	45°
Body Material	SS400	Mounting Bolt	M6
Surface Treatment	Trivalent Chromate	Fixing Pitch	51 × 40
		Suppress Pressure(N)	1600
Unit Price Qty. 1~19	23.58	Tare(g)	450
		Stroke(mm)	12

MC07-5

New



RoHS