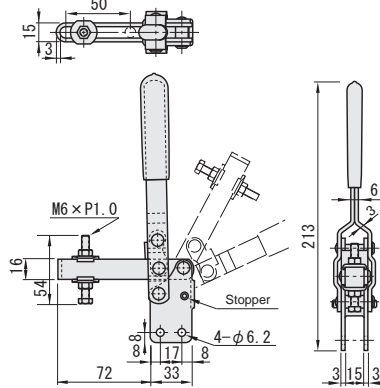


Part Number	TC41BSS	Open-Close Angle of Arm	110°
		Open-Close Angle of Handle	64°
Body Material	SS400	Mounting Bolt	M6
Surface Treatment	Bright Chromate Plating	Fixing Pitch	33
Accessory	Steel Bolt	Suppress Pressure(N)	1960
Unit Price Qty. 1-9	28.24	Tare(g)	385

TC41BSS (Straight Base)

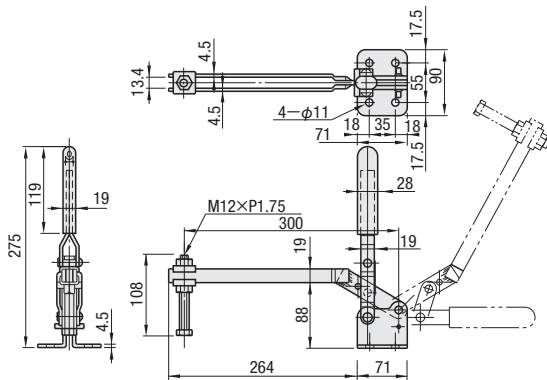
Old



Part Number	LN2B	Open-Close Angle of Arm	110°
		Open-Close Angle of Handle	90°
Body Material	SS400	Mounting Bolt	M10
Surface Treatment	Bright Chromate Plating	Fixing Pitch	55 × 35
Accessory	Steel Bolt	Suppress Pressure(N)	1000-3700
Unit Price Qty. 1-9	112.31	Tare(g)	1500

LN2B (Long Arm Type)

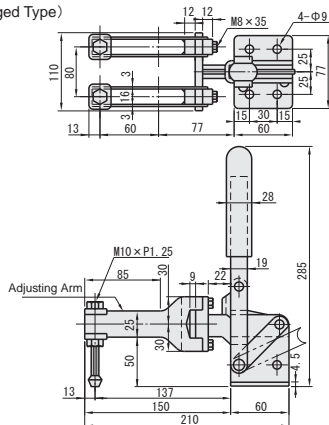
Old



Part Number	FT2	Open-Close Angle of Arm	140°
		Open-Close Angle of Handle	67°
Body Material	SS400	Mounting Bolt	M8
Surface Treatment	Bright Chromate Plating	Fixing Pitch	77 × 30
Accessory	Bolt with Rubber Material NBR Hardness Shore A70	Suppress Pressure(N)	800-1500
		Tare(g)	2000
Unit Price Qty. 1-9	115.52	Right and Left Travel Distance (mm)	40-80
		Back and Forth Travel Distance (mm)	60

FT2 (2-Pronged Type)

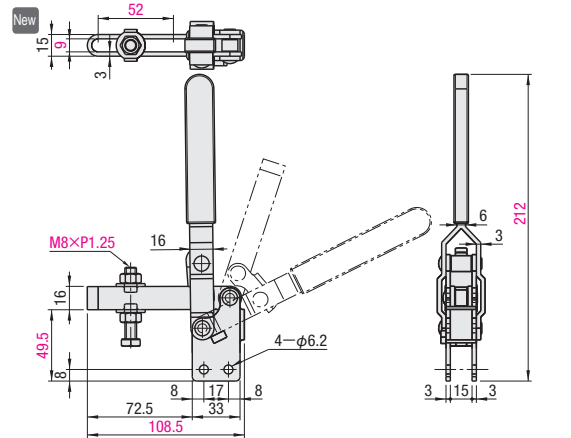
Old



Part Number	MC04-9S	Open-Close Angle of Arm	110°
		Open-Close Angle of Handle	64°
Body Material	SS400	Mounting Bolt	M6
Surface Treatment	Trivalent Chromate	Fixing Pitch	33
Accessory	Steel Bolt	Suppress Pressure(N)	1960
Unit Price Qty. 1-19	22.62	Tare(g)	420

MC04-9S

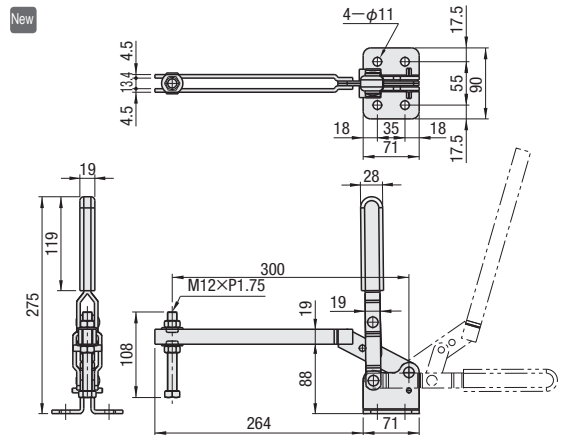
New



Part Number	MC06-1	Open-Close Angle of Arm	110°
		Open-Close Angle of Handle	90°
Body Material	SS400	Mounting Bolt	M10
Surface Treatment	Trivalent Chromate	Fixing Pitch	55 × 35
Accessory	Steel Bolt	Suppress Pressure(N)	1000-3700
Unit Price Qty. 1-19	89.85	Tare(g)	1500

MC06-1 (Long Arm Type)

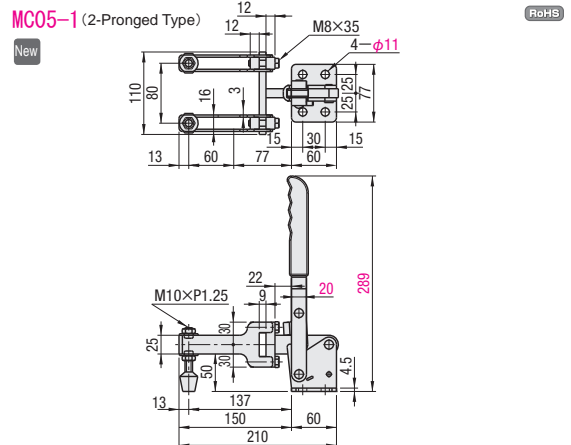
New



Part Number	MC05-1	Open-Close Angle of Arm	140°
		Open-Close Angle of Handle	74°
Body Material	SS400	Mounting Bolt	M10
Surface Treatment	Trivalent Chromate	Fixing Pitch	77 × 30
Accessory	Bolt with Rubber Material NBR Hardness Shore A70	Suppress Pressure(N)	800-1500
		Tare(g)	2000
Unit Price Qty. 1-19	92.41	Right and Left Travel Distance (mm)	40-80
		Back and Forth Travel Distance (mm)	60

MC05-1 (2-Pronged Type)

New



*All prices are in \$S