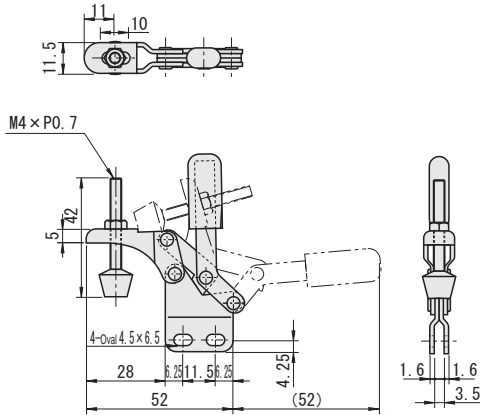


Part Number	TC09S	Open-Close Angle of Arm	80°
		Open-Close Angle of Handle	88°
Body Material	SS400	Mounting Bolt	M4
Surface Treatment	Bright Chromate Plating	Fixing Pitch	11.5
Accessory	Bolt with Rubber Material NBR Hardness Shore A70	Suppress Pressure(N)	294
Unit Price Qty. 1-9	17.49	Tare(g)	40

TC09S (Straight Base)

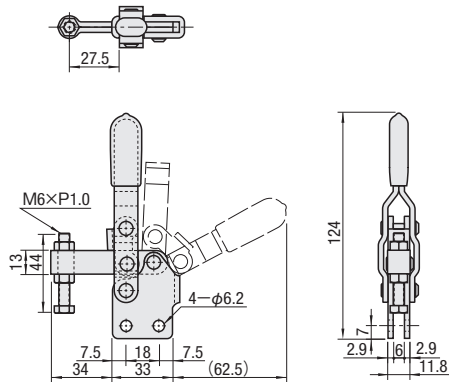
Old



Part Number	TC40K	Open-Close Angle of Arm	95°
		Open-Close Angle of Handle	65°
Body Material	SS400	Mounting Bolt	M8
Surface Treatment	Bright Chromate Plating	Fixing Pitch	18
Accessory	Steel Bolt	Suppress Pressure(N)	980
Unit Price Qty. 1-9	18.45	Tare(g)	200

TC40K (Straight Base)

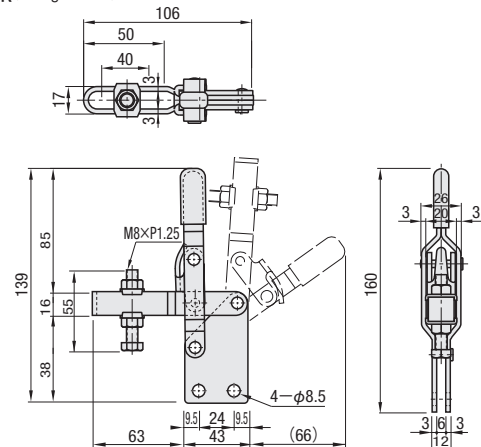
Old



Part Number	TC42K	Open-Close Angle of Arm	94°
		Open-Close Angle of Handle	54°
Body Material	SS400	Mounting Bolt	M8
Surface Treatment	Bright Chromate Plating	Fixing Pitch	24
Accessory	Steel Bolt	Suppress Pressure(N)	1470
Unit Price Qty. 1-9	21.50	Tare(g)	390

TC42K (Straight Base)

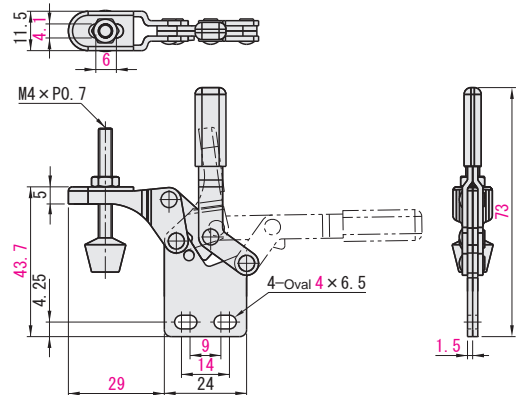
Old



Part Number	MC04-6S	Open-Close Angle of Arm	80°
		Open-Close Angle of Handle	88°
Body Material	SS400	Mounting Bolt	M4
Surface Treatment	Trivalent Chromate	Fixing Pitch	9-14
Accessory	Bolt with Rubber Material NBR Hardness Shore A70	Suppress Pressure(N)	294
Unit Price Qty. 1-19	14.12	Tare(g)	40

MC04-6S

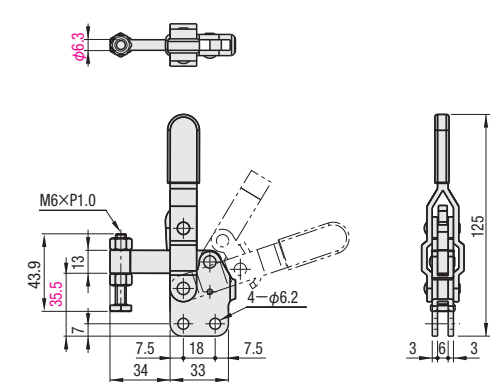
New



Part Number	MC04-7S	Open-Close Angle of Arm	120°
		Open-Close Angle of Handle	72°
Body Material	SS400	Mounting Bolt	M8
Surface Treatment	Trivalent Chromate	Fixing Pitch	18
Accessory	Steel Bolt	Suppress Pressure(N)	980
Unit Price Qty. 1-19	14.76	Tare(g)	200

MC04-7S

New



Part Number	MC04-8S	Open-Close Angle of Arm	94°
		Open-Close Angle of Handle	54°
Body Material	SS400	Mounting Bolt	M8
Surface Treatment	Trivalent Chromate	Fixing Pitch	24
Accessory	Steel Bolt	Suppress Pressure(N)	1470
Unit Price Qty. 1-19	17.33	Tare(g)	370

MC04-8S

New

