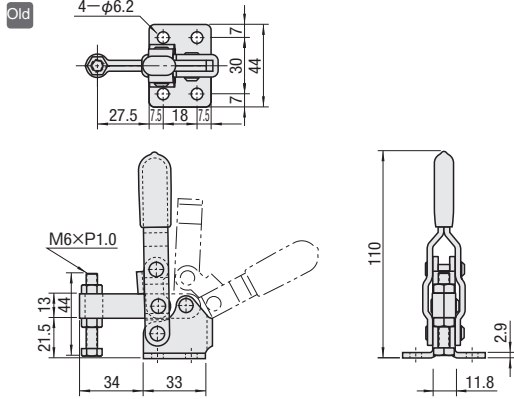


Part Number	TC40A	STC40A	Open-Close Angle of Arm	95°
			Open-Close Angle of Handle	65°
Body Material	SS400	SUS304	Mounting Bolt	M6
Surface Treatment	Bright Chromate Plating	-	Fixing Pitch	30 × 18
Accessory	Steel Bolt	Stainless Steel Bolt	Suppress Pressure(N)	980
Unit Price Qty. 1~9	18.45	40.11	Tare(g)	200

Old

TC40A  
STC40A (Stainless Steel)

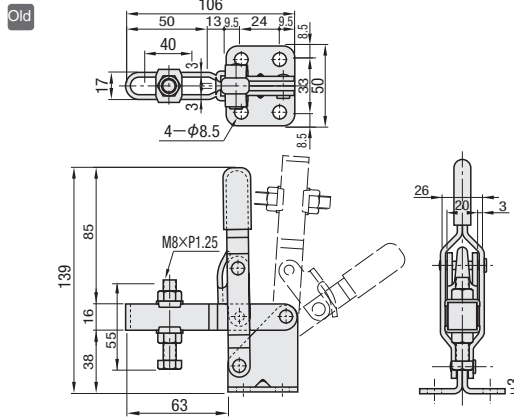


RoHS

Part Number	TC42A	STC42A	Open-Close Angle of Arm	94°
			Open-Close Angle of Handle	54°
Body Material	SS400	SUS304	Mounting Bolt	M8
Surface Treatment	Bright Chromate Plating	-	Fixing Pitch	33 × 24
Accessory	Steel Bolt	Stainless Steel Bolt	Suppress Pressure(N)	1470
Unit Price Qty. 1~9	21.50	49.74	Tare(g)	390

Old

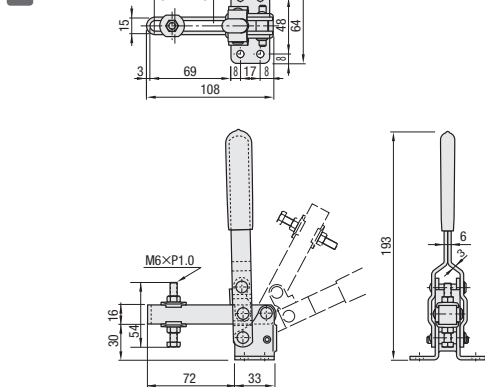
TC42A  
STC42A (Stainless Steel)



Part Number	TC41BS	Open-Close Angle of Arm	110°
		Open-Close Angle of Handle	64°
Body Material	SS400	Mounting Bolt	M6
Surface Treatment	Bright Chromate Plating	Fixing Pitch	48 × 17
Accessory	Steel Bolt	Suppress Pressure(N)	1960
Unit Price Qty. 1~9	28.24	Tare(g)	385

Old

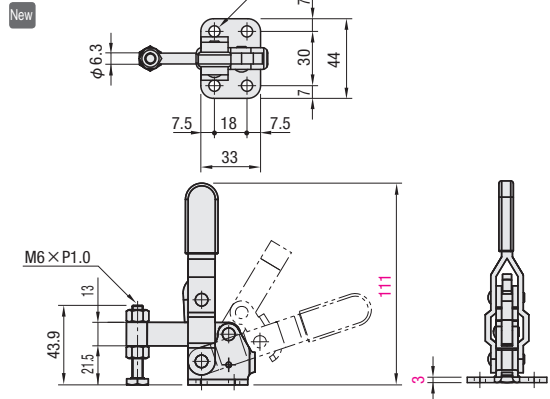
TC41BS



Part Number	MC04-7	MC04-S7	Open-Close Angle of Arm	120°
			Open-Close Angle of Handle	72°
Body Material	SS400	SUS304	Mounting Bolt	M6
Surface Treatment	Trivalent Chromate	-	Fixing Pitch	30 × 18
Accessory	Steel Bolt	Stainless Steel Bolt	Suppress Pressure(N)	980
Unit Price Qty. 1~19	14.76	32.09	Tare(g)	200

New

MC04-7  
MC04-S7 (Stainless Steel)

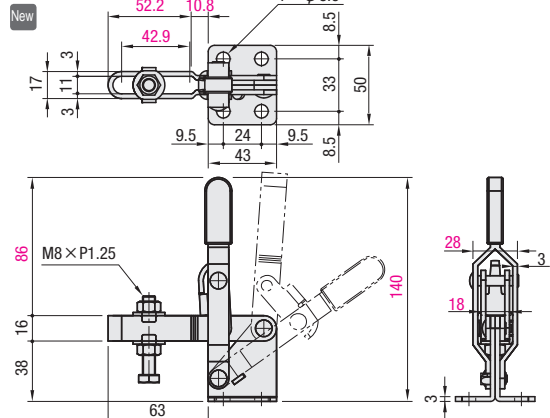


RoHS

Part Number	MC04-8	MC04-S8	Open-Close Angle of Arm	94°
			Open-Close Angle of Handle	54°
Body Material	SS400	SUS304	Mounting Bolt	M8
Surface Treatment	Trivalent Chromate	-	Fixing Pitch	33 × 24
Accessory	Steel Bolt	Stainless Steel Bolt	Suppress Pressure(N)	1470
Unit Price Qty. 1~19	17.33	39.79	Tare(g)	370

New

MC04-8  
MC04-S8 (Stainless Steel)

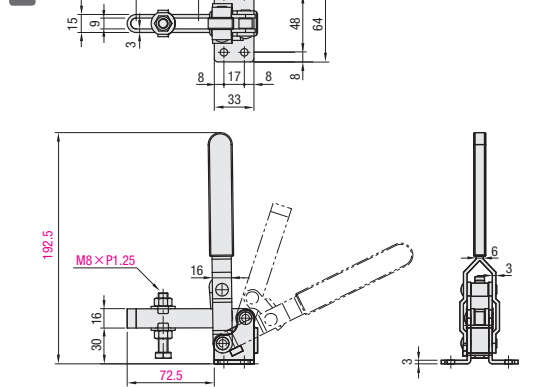


RoHS

Part Number	MC04-9	Open-Close Angle of Arm	110°
		Open-Close Angle of Handle	64°
Body Material	SS400	Mounting Bolt	M6
Surface Treatment	Trivalent Chromate	Fixing Pitch	48 × 17
Accessory	Steel Bolt	Suppress Pressure(N)	1960
Unit Price Qty. 1~19	22.62	Tare(g)	420

New

MC04-9



RoHS

\*All prices are in SS