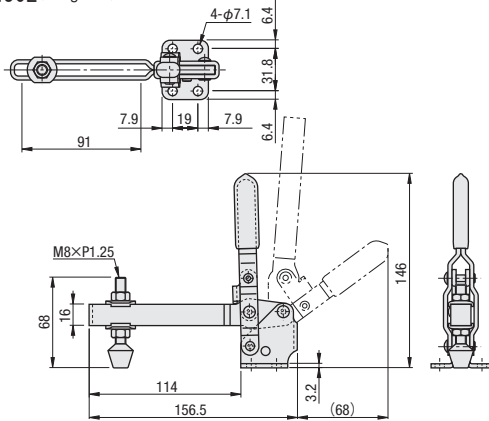


Part Number	HV450L	Open-Close Angle of Arm	100°
		Open-Close Angle of Handle	60°
Body Material	SS400	Mounting Bolt	M6
Surface Treatment	Bright Chromate Plating	Fixing Pitch	31.8 × 19
Accessory	Bolt with Rubber Material NBR Hardness Shore A70	Suppress Pressure(N)	784
Unit Price Qty. 1~9	31.93	Tare(g)	400

HV450L (Long Arm)

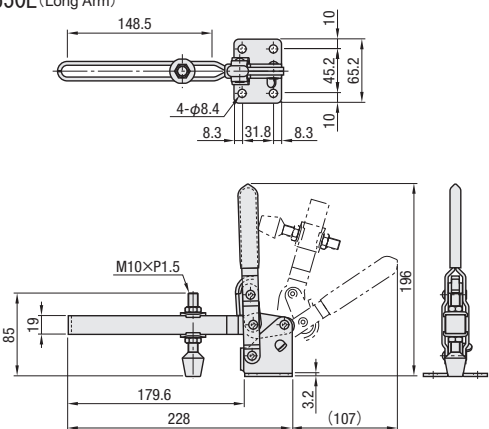
Old



Part Number	HV650L	Open-Close Angle of Arm	106°
		Open-Close Angle of Handle	58°
Body Material	SS400	Mounting Bolt	M8
Surface Treatment	Trivalent Chromate	Fixing Pitch	45.2 × 31.8
Accessory	Bolt with Rubber Material NBR Hardness Shore A70	Suppress Pressure(N)	1078
Unit Price Qty. 1~9	42.52	Tare(g)	780

HV650L (Long Arm)

Old



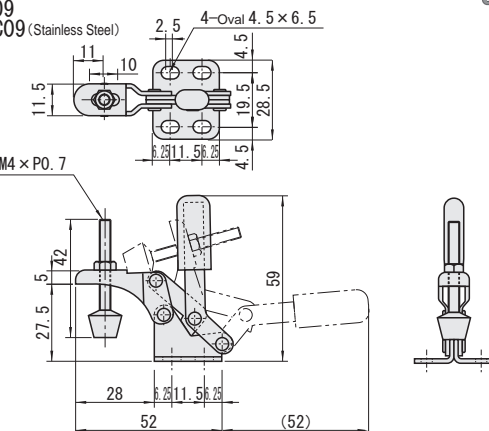
Vertical Handle Type

Part Number	TC09	STC09	Open-Close Angle of Arm	80°
			Open-Close Angle of Handle	88°
Body Material	SS400	SUS304	Mounting Bolt	M4
Surface Treatment	Bright Chromate Plating	-	Fixing Pitch	19.5 × 11.5
Accessory	Bolt with Rubber Material NBR Hardness Shore A70	Stainless Steel Bolt	Suppress Pressure(N)	294
Unit Price Qty. 1~9	17.49	31.45	Tare(g)	40

TC09

STC09 (Stainless Steel)

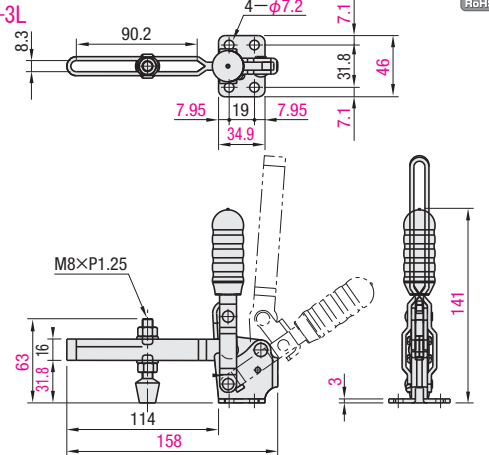
Old



Part Number	MC04-3L	Open-Close Angle of Arm	100°
		Open-Close Angle of Handle	56°
Body Material	SS400	Mounting Bolt	M6
Surface Treatment	Trivalent Chromate	Fixing Pitch	31.8 × 19
Accessory	Bolt with Rubber Material NBR Hardness Shore A70	Suppress Pressure(N)	784
Unit Price Qty. 1~19	25.67	Tare(g)	370

MC04-3L

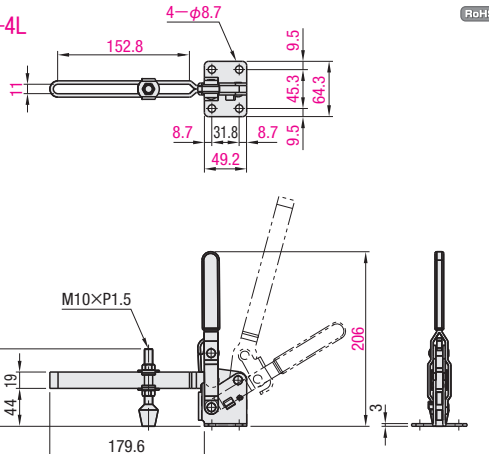
New



Part Number	MC04-4L	Open-Close Angle of Arm	112°
		Open-Close Angle of Handle	61°
Body Material	SS400	Mounting Bolt	M8
Surface Treatment	Trivalent Chromate	Fixing Pitch	45.2 × 31.8
Accessory	Bolt with Rubber Material NBR Hardness Shore A70	Suppress Pressure(N)	1078
Unit Price Qty. 1~19	34.01	Tare(g)	815

MC04-4L

New



Part Number	MC04-6	MC04-S6	Open-Close Angle of Arm	80°
			Open-Close Angle of Handle	88°
Body Material	SS400	SUS304	Mounting Bolt	M4
Surface Treatment	Trivalent Chromate	-	Fixing Pitch	19.5 × 9~14
Accessory	Bolt with Rubber Material NBR Hardness Shore A70	Stainless Steel Bolt	Suppress Pressure(N)	294
Unit Price Qty. 1~19	14.12	25.19	Tare(g)	40

MC04-6

MC04-S6 (Stainless Steel)

New

