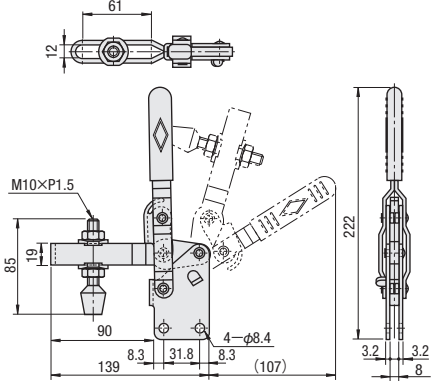


Part Number	HV650S	Open-Close Angle of Arm	106°
		Open-Close Angle of Handle	58°
Body Material	SS400	Mounting Bolt	M8
Surface Treatment	Trivalent Chromate	Fixing Pitch	31.8
Accessory	Bolt with Rubber Material NBR Hardness Shore A70	Suppress Pressure(N)	3332
Unit Price Qty. 1-9	31.61	Tare(g)	600

HV650S (Straight Base)

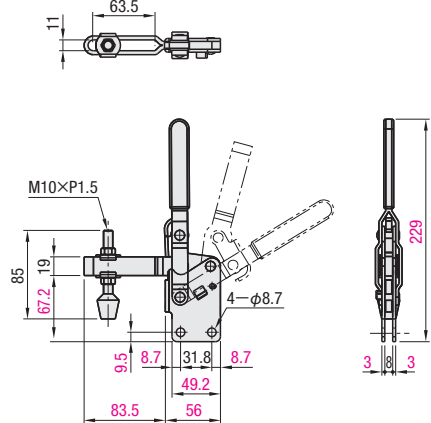
Old



Part Number	MC04-4S	Open-Close Angle of Arm	112°
		Open-Close Angle of Handle	61°
Body Material	SS400	Mounting Bolt	M8
Surface Treatment	Trivalent Chromate	Fixing Pitch	31.8
Accessory	Bolt with Rubber Material NBR Hardness Shore A70	Suppress Pressure(N)	3332
Unit Price Qty. 1-19	31.61	Tare(g)	635

MC04-4S

New

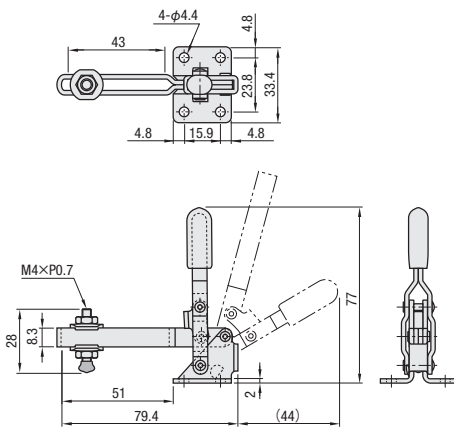


Bottom Holder, Vertical Handle Type (Long Arm)

Part Number	HV150L	Open-Close Angle of Arm	105°
		Open-Close Angle of Handle	60°
Body Material	SS400	Mounting Bolt	M4
Surface Treatment	Bright Chromate Plating	Fixing Pitch	23.8 × 15.9
Accessory	Bolt with Nylon Finished Tip	Suppress Pressure(N)	186
Unit Price Qty. 1-9	22.14	Tare(g)	75

HV150L (Long Arm)

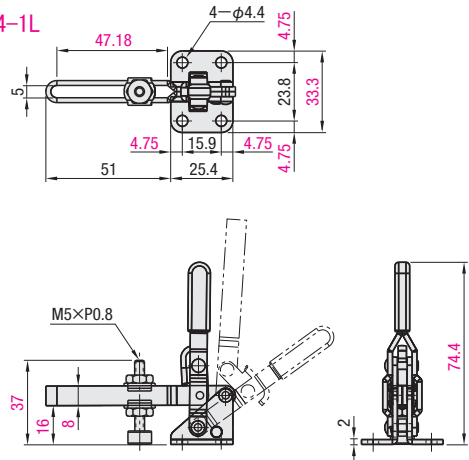
Old



Part Number	MC04-1L	Open-Close Angle of Arm	100°
		Open-Close Angle of Handle	56°
Body Material	SS400	Mounting Bolt	M4
Surface Treatment	Trivalent Chromate	Fixing Pitch	23.8 × 15.9
Accessory	Bolt with Rubber	Suppress Pressure(N)	186
Unit Price Qty. 1-19	17.81	Tare(g)	75

MC04-1L

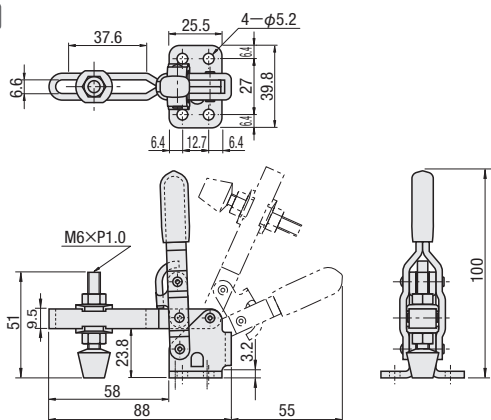
New



Part Number	HV250L	Open-Close Angle of Arm	115°
		Open-Close Angle of Handle	65°
Body Material	SS400	Mounting Bolt	M5
Surface Treatment	Bright Chromate Plating	Fixing Pitch	27 × 12.7
Accessory	Bolt with Rubber Material NBR Hardness Shore A70	Suppress Pressure(N)	392
Unit Price Qty. 1-9	19.73	Tare(g)	175

HV250L (Long Arm)

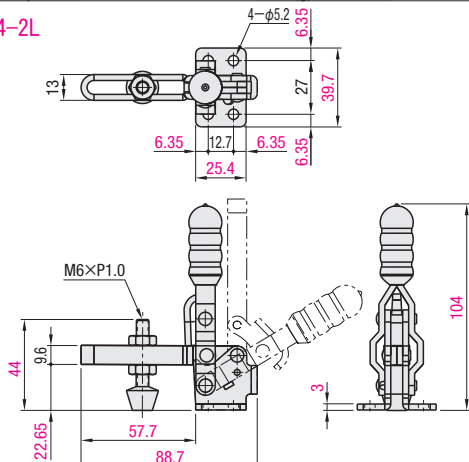
Old



Part Number	MC04-2L	Open-Close Angle of Arm	95°
		Open-Close Angle of Handle	60°
Body Material	SS400	Mounting Bolt	M5
Surface Treatment	Trivalent Chromate	Fixing Pitch	27 × 12.7
Accessory	Bolt with Rubber Material NBR Hardness Shore A70	Suppress Pressure(N)	392
Unit Price Qty. 1-19	15.88	Tare(g)	175

MC04-2L

New



*All prices are in S\$