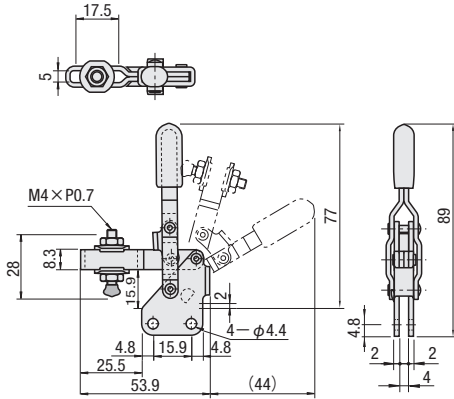


Part Number	HV150S	Open-Close Angle of Arm	105°
		Open-Close Angle of Handle	60°
Body Material	SS400	Mounting Bolt	M4
Surface Treatment	Trivalent Chromate	Fixing Pitch	15.9
Accessory	Bolt with Nylon Finished Tip	Suppress Pressure(N)	441
Unit Price Qty. 1-9	16.85	Tare(g)	70

HV150S (Straight Base)

Old

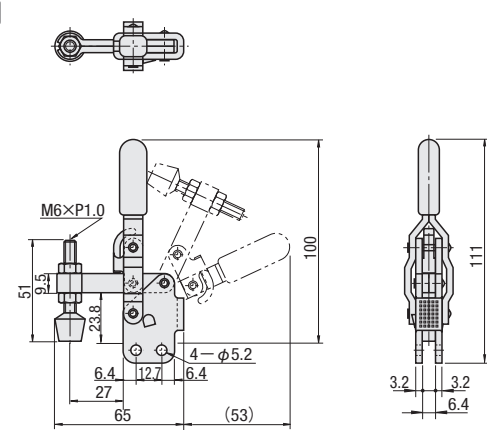


RoHS

Part Number	HV250S	Open-Close Angle of Arm	115°
		Open-Close Angle of Handle	65°
Body Material	SS400	Mounting Bolt	M5
Surface Treatment	Trivalent Chromate	Fixing Pitch	12.7
Accessory	Bolt with Rubber Material NBR Hardness Shore A70	Suppress Pressure(N)	882
Unit Price Qty. 1-9	18.29	Tare(g)	170

HV250S (Straight Base)

Old

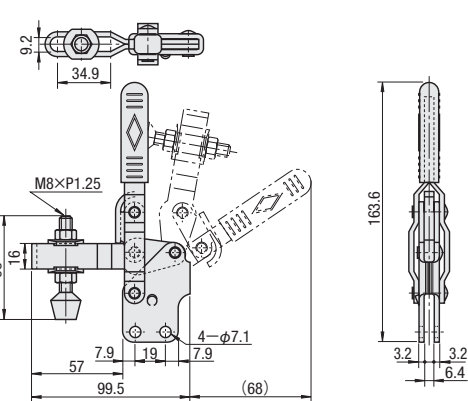


RoHS

Part Number	HV450S	Open-Close Angle of Arm	100°
		Open-Close Angle of Handle	60°
Body Material	SS400	Mounting Bolt	M6
Surface Treatment	Trivalent Chromate	Fixing Pitch	19
Accessory	Bolt with Rubber Material NBR Hardness Shore A70	Suppress Pressure(N)	2205
Unit Price Qty. 1-9	23.26	Tare(g)	360

HV450S (Straight Base)

Old

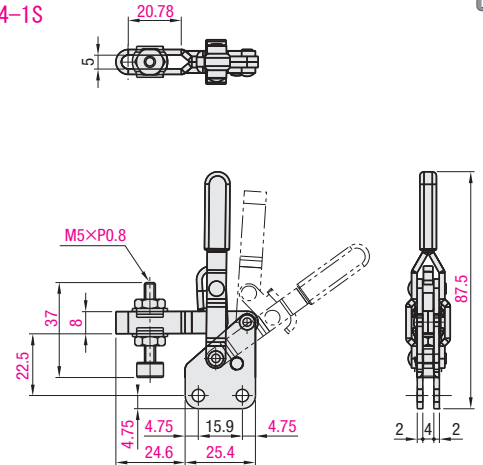


RoHS

Part Number	MC04-1S	Open-Close Angle of Arm	100°
		Open-Close Angle of Handle	56°
Body Material	SS400	Mounting Bolt	M4
Surface Treatment	Trivalent Chromate	Fixing Pitch	15.9
Accessory	Bolt with Rubber	Suppress Pressure(N)	441
Unit Price Qty. 1-19	13.48	Tare(g)	60

MC04-1S

New

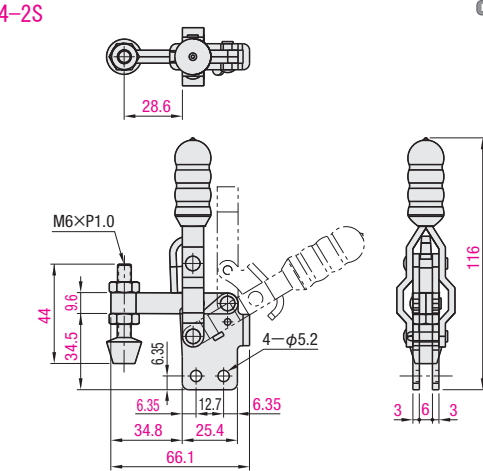


RoHS

Part Number	MC04-2S	Open-Close Angle of Arm	95°
		Open-Close Angle of Handle	60°
Body Material	SS400	Mounting Bolt	M5
Surface Treatment	Trivalent Chromate	Fixing Pitch	12.7
Accessory	Bolt with Rubber Material NBR Hardness Shore A70	Suppress Pressure(N)	882
Unit Price Qty. 1-19	14.76	Tare(g)	170

MC04-2S

New

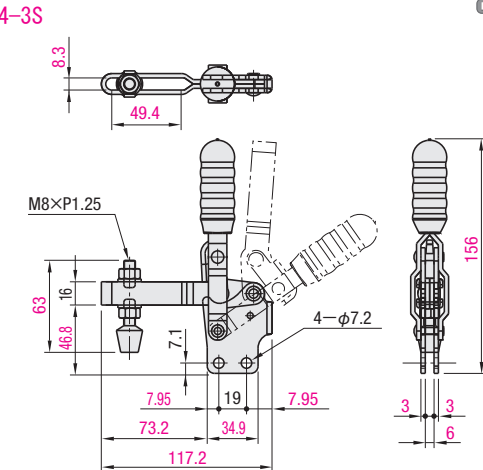


RoHS

Part Number	MC04-3S	Open-Close Angle of Arm	100°
		Open-Close Angle of Handle	56°
Body Material	SS400	Mounting Bolt	M6
Surface Treatment	Trivalent Chromate	Fixing Pitch	19
Accessory	Bolt with Rubber Material NBR Hardness Shore A70	Suppress Pressure(N)	2205
Unit Price Qty. 1-19	18.61	Tare(g)	355

MC04-3S

New



RoHS