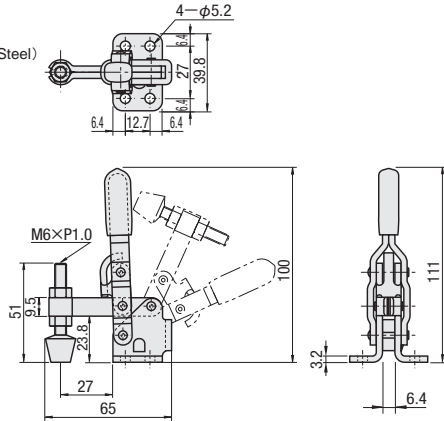


Part Number	<b>HV250</b>	<b>SHV250</b>	Open-Close Angle of Arm	115°
			Open-Close Angle of Handle	65°
Body Material	SS400	SUS304	Mounting Bolt	M5
Surface Treatment	Bright Chromate Plating	-	Fixing Pitch	12.7 × 27
Accessory	Bolt with Rubber Material NBR Hardness Shore A70	Stainless Steel Bolt	Suppress Pressure(N)	882
Unit Price Qty. 1~9	17.17	42.68	Tare(g)	170

**HV250  
SHV250**  
(Stainless Steel)

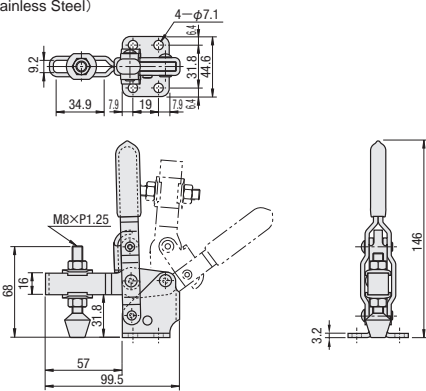
Old



Part Number	<b>HV450</b>	<b>SHV450</b>	Open-Close Angle of Arm	100°
			Open-Close Angle of Handle	60°
Body Material	SS400	SUS304	Mounting Bolt	M6
Surface Treatment	Bright Chromate Plating	-	Fixing Pitch	19 × 31.8
Accessory	Bolt with Rubber Material NBR Hardness Shore A70	Stainless Steel Bolt	Suppress Pressure(N)	2205
Unit Price Qty. 1~9	22.14	55.83	Tare(g)	360

**HV450  
SHV450** (Stainless Steel)

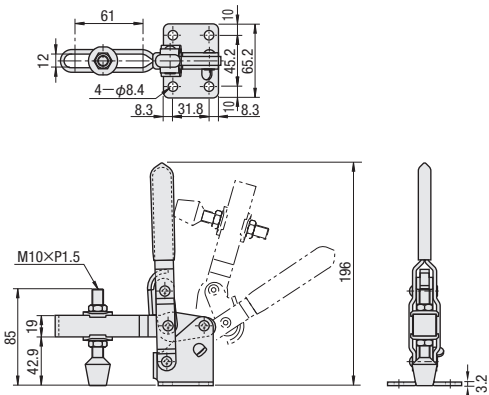
Old



Part Number	<b>HV650</b>		Open-Close Angle of Arm	106°
			Open-Close Angle of Handle	58°
Body Material	SS400		Mounting Bolt	M8
Surface Treatment	Bright Chromate Plating		Fixing Pitch	31.8 × 45.2
Accessory	Bolt with Rubber Material NBR Hardness Shore A70		Suppress Pressure(N)	3332
Unit Price Qty. 1~9	29.20		Tare(g)	600

**HV650**

Old

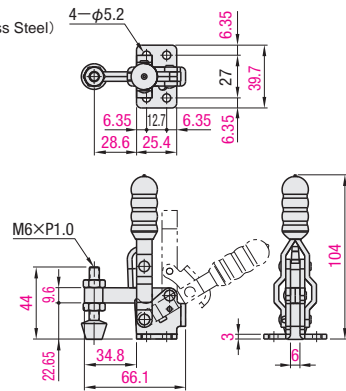


Part Number	<b>MC04-2</b>	<b>MC04-S2</b>	Open-Close Angle of Arm	95°
			Open-Close Angle of Handle	60°
Body Material	SS400	SUS304	Mounting Bolt	M5
Surface Treatment	Trivalent Chromate	-	Fixing Pitch	12.7 × 27
Accessory	Bolt with Rubber Material NBR Hardness Shore A70	Stainless Steel Bolt	Suppress Pressure(N)	882
Unit Price Qty. 1~19	13.80	34.17	Tare(g)	170

RoHS

**MC04-2  
MC04-S2** (Stainless Steel)

New

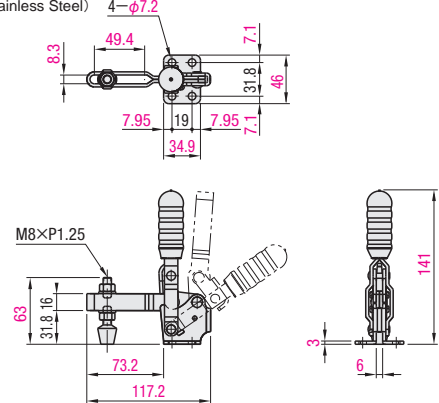


Part Number	<b>MC04-3</b>	<b>MC04-S3</b>	Open-Close Angle of Arm	95°
			Open-Close Angle of Handle	60°
Body Material	SS400	SUS304	Mounting Bolt	M6
Surface Treatment	Trivalent Chromate	-	Fixing Pitch	19 × 31.8
Accessory	Bolt with Rubber Material NBR Hardness Shore A70	Stainless Steel Bolt	Suppress Pressure(N)	2205
Unit Price Qty. 1~19	17.81	44.76	Tare(g)	355

RoHS

**MC04-3  
MC04-S3** (Stainless Steel)

New

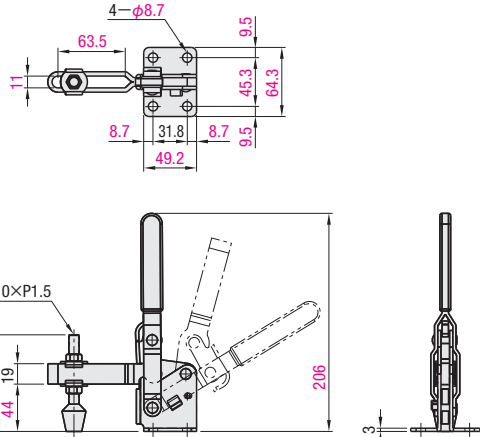


Part Number	<b>MC04-4</b>		Open-Close Angle of Arm	106°
			Open-Close Angle of Handle	58°
Body Material	SS400		Mounting Bolt	M8
Surface Treatment	Trivalent Chromate		Fixing Pitch	31.8 × 45.3
Accessory	Bolt with Rubber Material NBR Hardness Shore A70		Suppress Pressure(N)	3332
Unit Price Qty. 1~19	23.42		Tare(g)	635

RoHS

**MC04-4**

New



\*All prices are in S\$