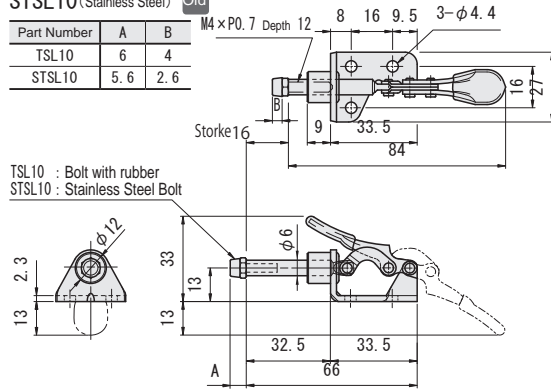


Part Number	TSL10	STSL10	Open-Close Angle of Handle	180°
Body Material	SS400	SUS304	Mounting Bolt	M4
Surface Treatment	Bright Chromate Plating	-	Fixing Pitch	16 × 16
Stroke(mm)	16	-	Suppress Pressure(N)	450
Accessory	Bolt with Rubber	Stainless Steel Bolt		
Unit Price Qty. 1-9	15.56	39.31	Tare(g)	40

TSL10

STSL10 (Stainless Steel) Old

Part Number	A	B
TSL10	6	4
STSL10	5.6	2.6



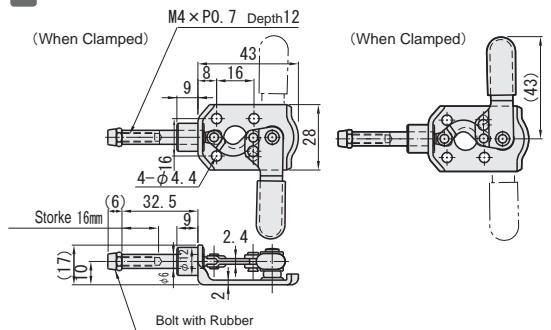
TSL10 : Bolt with rubber
STSL10 : Stainless Steel Bolt

Part Number	TSL50L	TSL50R	Open-Close Angle of Handle	180°
Body Material	SS400	-	Mounting Bolt	M4
Surface Treatment	Bright Chromate Plating	-	Fixing Pitch	16 × 16
Stroke(mm)	16	-	Suppress Pressure(N)	500
Accessory	Bolt with Rubber	Stainless Steel Bolt		
Unit Price Qty. 1-9	18.61	-	Tare(g)	60

TSL50L (Right Turn)

TSL50R (Left Turn)

Old



(Figure; Clamp condition)

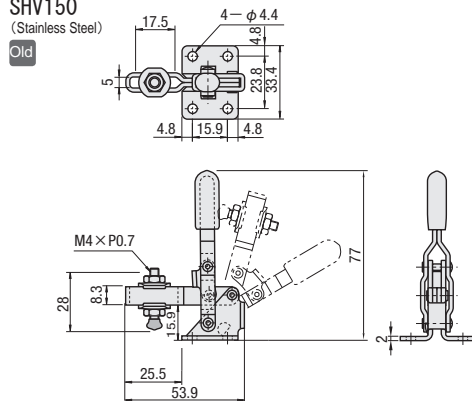
Bottom Holder, Vertical Handle Type

Part Number	HV150	SHV150	Open-Close Angle of Arm	105°
			Open-Close Angle of Handle	60°
Body Material	SS400	SUS304	Mounting Bolt	M4
Surface Treatment	Bright Chromate Plating	-	Fixing Pitch	15.9 × 23.8
Accessory	Bolt with Nylon Finished Tip	Stainless Steel Bolt	Suppress Pressure(N)	441
Unit Price Qty. 1-9	15.72	35.30	Tare(g)	70

HV150

SHV150 (Stainless Steel)

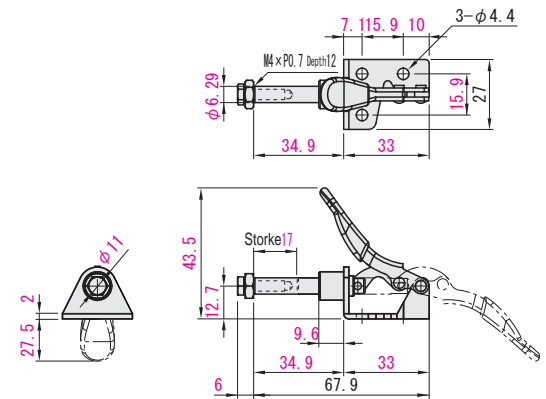
Old



Part Number	MC03-1	MC03-S1	Open-Close Angle of Handle	190°
Body Material	SS400	SUS304	Mounting Bolt	M4
Surface Treatment	Trivalent Chromate	-	Fixing Pitch	15.9 × 15.9
Stroke(mm)	16	-	Suppress Pressure(N)	450
Accessory	Bolt with Rubber	Stainless Steel Bolt		
Unit Price Qty. 1-19	12.51	31.45	Tare(g)	50

MC03-1

MC03-S1 (Stainless Steel) New

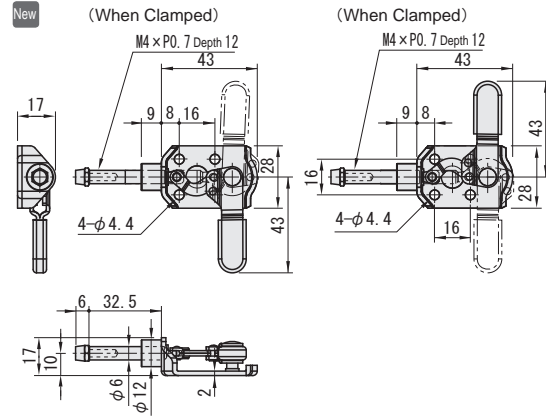


Part Number	MC03-2	MC03-3	Open-Close Angle of Handle	180°
Body Material	SS400	-	Mounting Bolt	M4
Surface Treatment	Trivalent Chromate	-	Fixing Pitch	16 × 16
Stroke(mm)	16	-	Suppress Pressure(N)	500
Accessory	Bolt with Rubber	Stainless Steel Bolt		
Unit Price Qty. 1-19	14.92	-	Tare(g)	65

MC03-2 (Right Turn)

MC03-3 (Left Turn)

New



Part Number	MC04-1	MC04-S1	Open-Close Angle of Arm	100°
			Open-Close Angle of Handle	56°
Body Material	SS400	SUS304	Mounting Bolt	M4
Surface Treatment	Trivalent Chromate	-	Fixing Pitch	15.9 × 23.8
Accessory	Bolt with Rubber	Stainless Steel Bolt	Suppress Pressure(N)	441
Unit Price Qty. 1-19	12.67	28.24	Tare(g)	60

MC04-1

MC04-S1 (Stainless Steel)

New

