

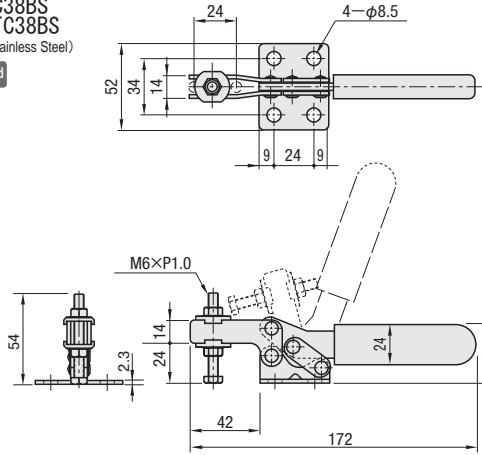
Horizontal Handle Type

Part Number	TC38BS	STC38BS	Open-Close Angle of Arm	75°
			Open-Close Angle of Handle	70°
Body Material	SS400	SUS304	Mounting Bolt	M8
Surface Treatment	Bright Chromate Plating	-	Fixing Pitch	34 × 24
Accessory	Stainless Steel Bolt	Stainless Steel Bolt	Suppress Pressure(N)	2450
Unit Price Qty. 1-9	22.14	48.13	Tare(g)	200

TC38BS
STC38BS

(Stainless Steel)

Old

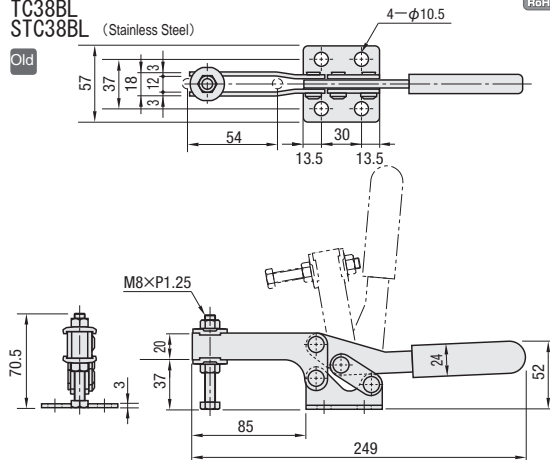


Part Number	TC38BL	STC38BL	Open-Close Angle of Arm	80°
			Open-Close Angle of Handle	80°
Body Material	SS400	SUS304	Mounting Bolt	M10
Surface Treatment	Bright Chromate Plating	-	Fixing Pitch	37 × 30
Accessory	Stainless Steel Bolt	Stainless Steel Bolt	Suppress Pressure(N)	2744
Unit Price Qty. 1-9	27.27	73.80	Tare(g)	460

TC38BL
STC38BL

(Stainless Steel)

Old

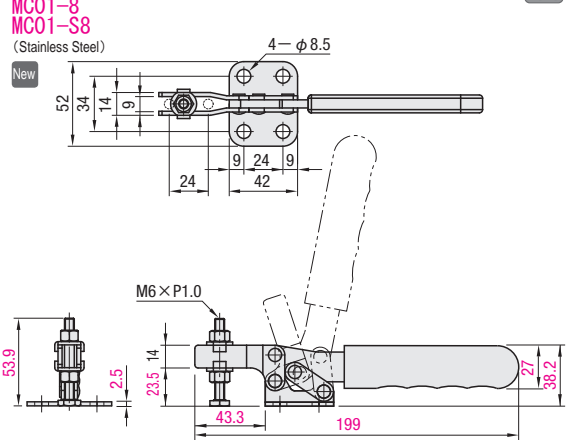


Part Number	MC01-8	MC01-S8	Open-Close Angle of Arm	77°
			Open-Close Angle of Handle	85°
Body Material	SS400	SUS304	Mounting Bolt	M8
Surface Treatment	Trivalent Chromate	-	Fixing Pitch	34 × 24
Accessory	Stainless Steel Bolt	Stainless Steel Bolt	Suppress Pressure(N)	2450
Unit Price Qty. 1-19	17.81	38.51	Tare(g)	210

MC01-8
MC01-S8

(Stainless Steel)

New

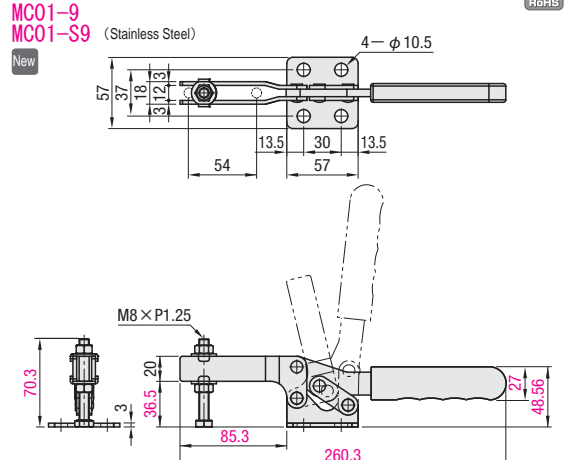


Part Number	MC01-9	MC01-S9	Open-Close Angle of Arm	79°
			Open-Close Angle of Handle	86°
Body Material	SS400	SUS304	Mounting Bolt	M10
Surface Treatment	Trivalent Chromate	-	Fixing Pitch	37 × 30
Accessory	Stainless Steel Bolt	Stainless Steel Bolt	Suppress Pressure(N)	2744
Unit Price Qty. 1-19	21.82	59.04	Tare(g)	435

MC01-9
MC01-S9

(Stainless Steel)

New



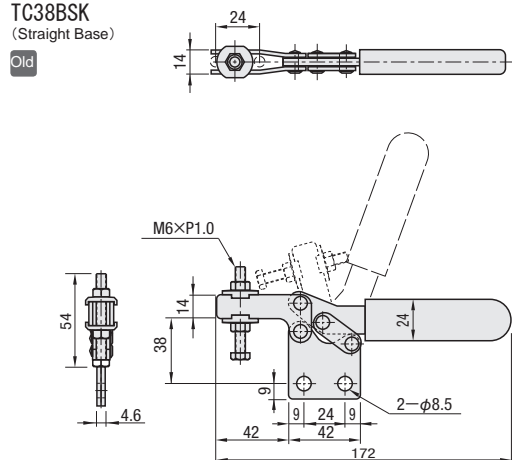
Horizontal Handle Type(Straight Base)

Part Number	TC38BSK	Open-Close Angle of Arm	75°
		Open-Close Angle of Handle	70°
Body Material	SS400	Mounting Bolt	M8
Surface Treatment	Bright Chromate Plating	Fixing Pitch	24
Accessory	Stainless Steel Bolt	Suppress Pressure(N)	2450
Unit Price Qty. 1-9	22.14	Tare(g)	200

TC38BSK

(Straight Base)

Old



Part Number	MC01-8S	Open-Close Angle of Arm	77°
		Open-Close Angle of Handle	85°
Body Material	SS400	Mounting Bolt	M8
Surface Treatment	Trivalent Chromate	Fixing Pitch	24
Accessory	Stainless Steel Bolt	Suppress Pressure(N)	2450
Unit Price Qty. 1-19	17.81	Tare(g)	210

MC01-8S

(Stainless Steel)

New

