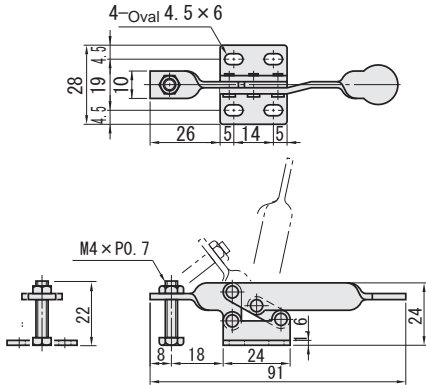


## Horizontal Handle Type

Part Number	<b>TC01</b>	Open-Close Angle of Arm	70°
		Open-Close Angle of Handle	75°
Body Material	SS400	Mounting Bolt	M4
Surface Treatment	Bright Chromate Plating	Fixing Pitch	19 × 14
Accessory	Stainless Steel Bolt	Suppress Pressure(N)	196
Unit Price Qty. 1-9	16.20	Tare(g)	30

TC01

Old

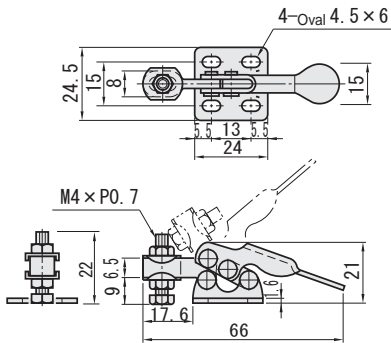


Part Number	<b>TC04</b>	<b>STC04</b>	Open-Close Angle of Arm	55°
			Open-Close Angle of Handle	60°
Body Material	SS400	SUS304	Mounting Bolt	M4
Surface Treatment	Bright Chromate Plating	-	Fixing Pitch	15 × 13
Accessory	Stainless Steel Bolt	Stainless Steel Bolt	Suppress Pressure(N)	196
Unit Price Qty. 1-9	16.20	29.20	Tare(g)	30

TC04

STC04 (Stainless Steel)

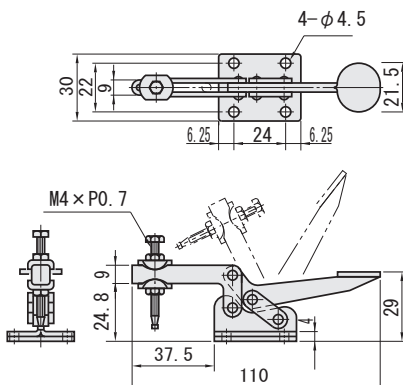
Old



Part Number	<b>TC03</b>	Open-Close Angle of Arm	65°
		Open-Close Angle of Handle	55°
Body Material	SS400	Mounting Bolt	M4
Surface Treatment	Bright Chromate Plating	Fixing Pitch	22 × 24
Accessory	Stainless Steel Bolt	Suppress Pressure(N)	294
Unit Price Qty. 1-9	18.29	Tare(g)	100

TC03

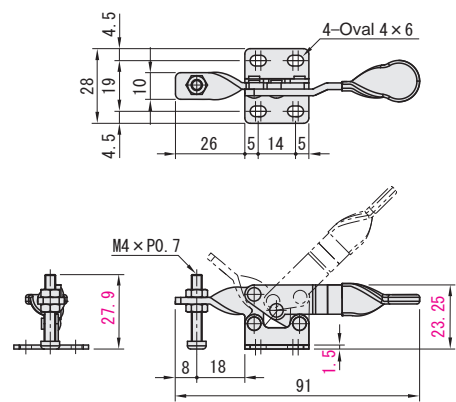
Old



Part Number	<b>MC01-5</b>	Open-Close Angle of Arm	71°
		Open-Close Angle of Handle	72°
Body Material	SS400	Mounting Bolt	M4
Surface Treatment	Trivalent Chromate	Fixing Pitch	19 × 14
Accessory	Stainless Steel Bolt	Suppress Pressure(N)	196
Unit Price Qty. 1-19	13.00	Tare(g)	30

MC01-5

New

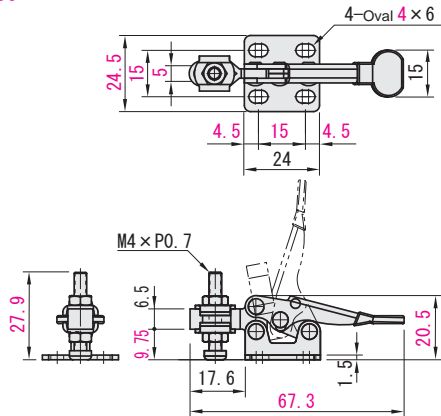


Part Number	<b>MC01-6</b>	<b>MC01-S6</b>	Open-Close Angle of Arm	75°
			Open-Close Angle of Handle	82°
Body Material	SS400	SUS304	Mounting Bolt	M4
Surface Treatment	Trivalent Chromate	-	Fixing Pitch	15 × 15
Accessory	Stainless Steel Bolt	Stainless Steel Bolt	Suppress Pressure(N)	196
Unit Price Qty. 1-19	13.00	23.42	Tare(g)	30

MC01-6

MC01-S6 (Stainless Steel)

New



Part Number	<b>MC01-7</b>	Open-Close Angle of Arm	72°
		Open-Close Angle of Handle	74°
Body Material	SS400	Mounting Bolt	M4
Surface Treatment	Trivalent Chromate	Fixing Pitch	22 × 24
Accessory	Stainless Steel Bolt	Suppress Pressure(N)	294
Unit Price Qty. 1-19	14.76	Tare(g)	100

MC01-7

New

