

Bottom Holder/Horizontal Handle Type, Standard Handle, Long Handle

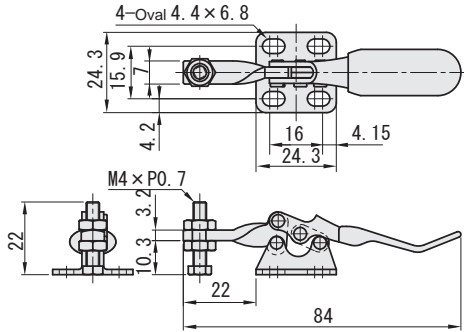
Part Number	HH150ZL	Open-Close Angle of Arm	95°
		Open-Close Angle of Handle	70°
Body Material	SS400	Mounting Bolt	M4
Surface Treatment	Trivalent Chromate	Fixing Pitch	15.9 × 16
Accessory	*Nylon Bolt	Suppress Pressure(N)	264.6
Unit Price Qty. 1~9	19.25	Tare(g)	33

HH150ZL

*Not bolt with rubber.

RoHS

Old



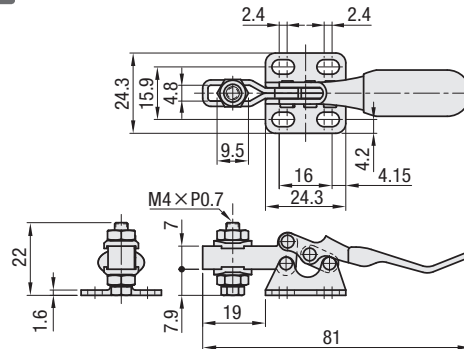
Part Number	HH250ZL	Open-Close Angle of Arm	95°
		Open-Close Angle of Handle	70°
Body Material	SS400	Mounting Bolt	M4
Surface Treatment	Trivalent Chromate	Fixing Pitch	15.9 × 15
Accessory	*Nylon Bolt	Suppress Pressure(N)	264.6
Unit Price Qty. 1~9	19.41	Tare(g)	33

HH250ZL

*Not bolt with rubber.

RoHS

Old

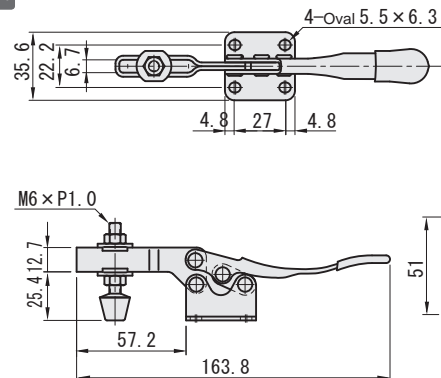


Part Number	HH350ZL	Open-Close Angle of Arm	90°
		Open-Close Angle of Handle	60°
Body Material	SS400	Mounting Bolt	M5
Surface Treatment	Trivalent Chromate	Fixing Pitch	22.2 × 27
Accessory	Bolt with Rubber Material NBR Hardness Shore A70	Suppress Pressure(N)	882
Unit Price Qty. 1~9	25.99	Tare(g)	130

HH350ZL

RoHS

Old



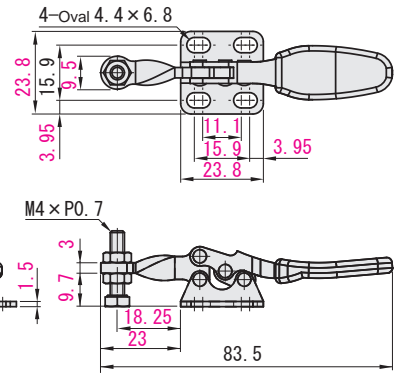
Part Number	MC01L-1	Open-Close Angle of Arm	90°
		Open-Close Angle of Handle	75°
Body Material	SS400	Mounting Bolt	M4
Surface Treatment	Trivalent Chromate	Fixing Pitch	15.9 × 15.9
Accessory	*Nylon Bolt	Suppress Pressure(N)	264.6
Unit Price Qty. 1~19	15.40	Tare(g)	35

MC01L-1

*Not bolt with rubber.

RoHS

New



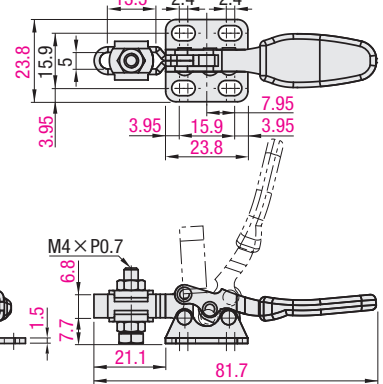
Part Number	MC01L-2	Open-Close Angle of Arm	90°
		Open-Close Angle of Handle	75°
Body Material	SS400	Mounting Bolt	M4
Surface Treatment	Trivalent Chromate	Fixing Pitch	15.9 × 15.9
Accessory	*Nylon Bolt	Suppress Pressure(N)	264.6
Unit Price Qty. 1~19	15.40	Tare(g)	40

MC01L-2

*Not bolt with rubber.

RoHS

New



Part Number	MC01L-3	Open-Close Angle of Arm	85°
		Open-Close Angle of Handle	73°
Body Material	SS400	Mounting Bolt	M5
Surface Treatment	Trivalent Chromate	Fixing Pitch	22 × 27
Accessory	Bolt with Rubber Material NBR Hardness Shore A70	Suppress Pressure(N)	882
Unit Price Qty. 1~19	20.86	Tare(g)	140

MC01L-3

RoHS

New

