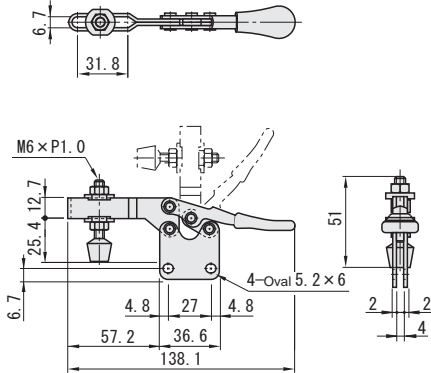


Part Number	HH350S	Open-Close Angle of Arm	90°
		Open-Close Angle of Handle	60°
Body Material	SS400	Mounting Bolt	M5
Surface Treatment	Trivalent Chromate	Fixing Pitch	27
Accessory	Bolt with Rubber Material NBR Hardness Shore A70	Suppress Pressure(N)	882
Unit Price Qty. 1-9	20.38	Tare(g)	120

HH350S (Straight Base)

RoHS

Old

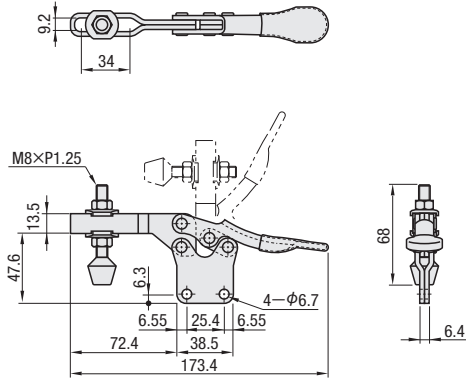


Part Number	HH450S	Open-Close Angle of Arm	90°
		Open-Close Angle of Handle	60°
Body Material	SS400	Mounting Bolt	M6
Surface Treatment	Trivalent Chromate	Fixing Pitch	25.4
Accessory	Bolt with Rubber Material NBR Hardness Shore A70	Suppress Pressure(N)	2352
Unit Price Qty. 1-9	21.66	Tare(g)	260

HH450S (Straight Base)

RoHS

Old

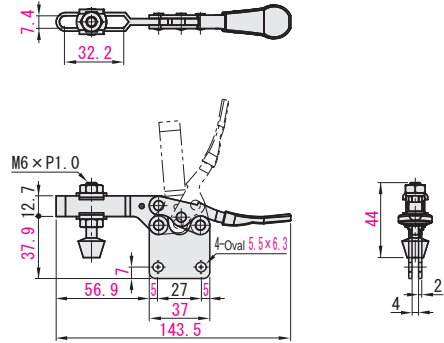


Part Number	MC01-3S	Open-Close Angle of Arm	85°
		Open-Close Angle of Handle	73°
Body Material	SS400	Mounting Bolt	M5
Surface Treatment	Trivalent Chromate	Fixing Pitch	27
Accessory	Bolt with Rubber Material NBR Hardness Shore A70	Suppress Pressure(N)	882
Unit Price Qty. 1-19	16.36	Tare(g)	130

MC01-3S

RoHS

New



Part Number	MC01-4S	Open-Close Angle of Arm	90°
		Open-Close Angle of Handle	65°
Body Material	SS400	Mounting Bolt	M6
Surface Treatment	Trivalent Chromate	Fixing Pitch	20.8 - 25.4
Accessory	Bolt with Rubber Material NBR Hardness Shore A70	Suppress Pressure(N)	2352
Unit Price Qty. 1-19	17.33	Tare(g)	265

MC01-4S

RoHS

New

