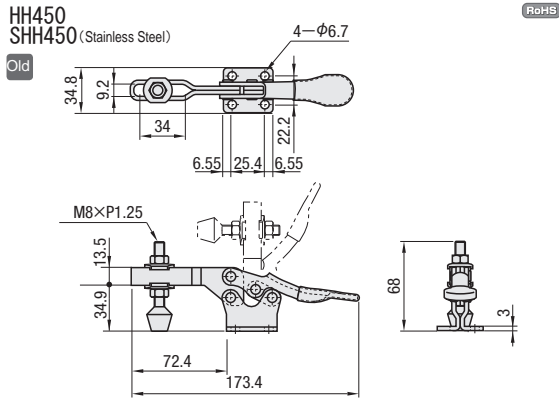
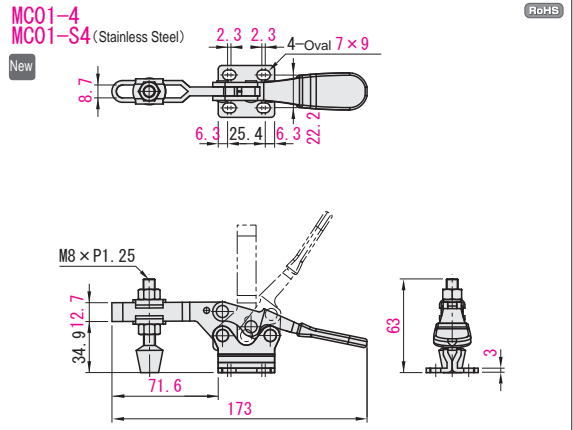


Part Number	HH450	SHH450	Open-Close Angle of Arm	90°
			Open-Close Angle of Handle	60°
Body Material	SS400	SUS304	Mounting Bolt	M6
Surface Treatment	Bright Chromate Plating	-	Fixing Pitch	22.2 × 25.4
Accessory	Bolt with Rubber Material NBR Hardness Shore A70	Stainless Steel Bolt	Suppress Pressure(N)	2352
			Tare(g)	260
Unit Price Qty. 1-9	20.54	56.96		

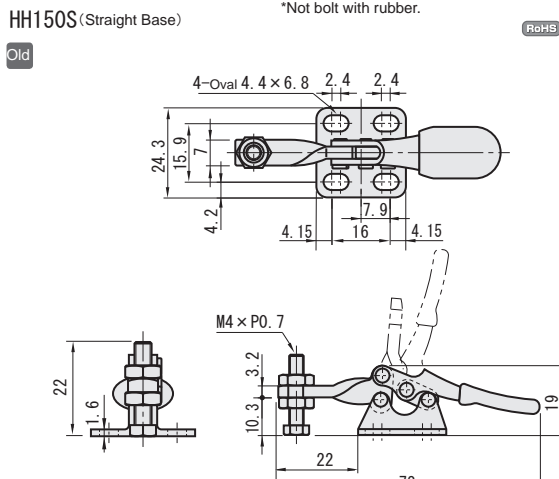


Part Number	MC01-4	MC01-S4	Open-Close Angle of Arm	90°
			Open-Close Angle of Handle	65°
Body Material	SS400	SUS304	Mounting Bolt	M6
Surface Treatment	Trivalent Chromate	-	Fixing Pitch	22.2 × 25.4
Accessory	Bolt with Rubber Material NBR Hardness Shore A70	Stainless Steel Bolt	Suppress Pressure(N)	2352
			Tare(g)	265
Unit Price Qty. 1-19	16.53	45.56		

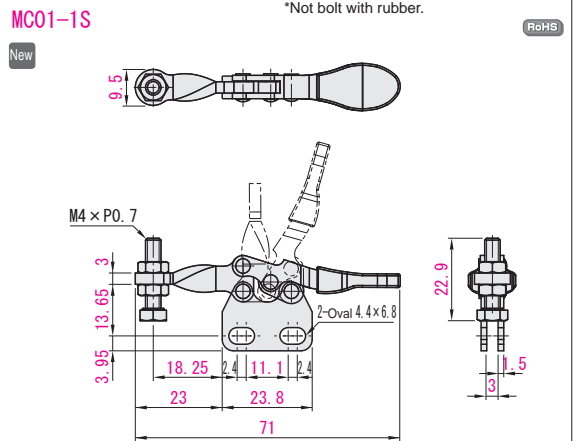


Bottom Holder/Horizontal Handle Type, Standard Handle(Straight Base)

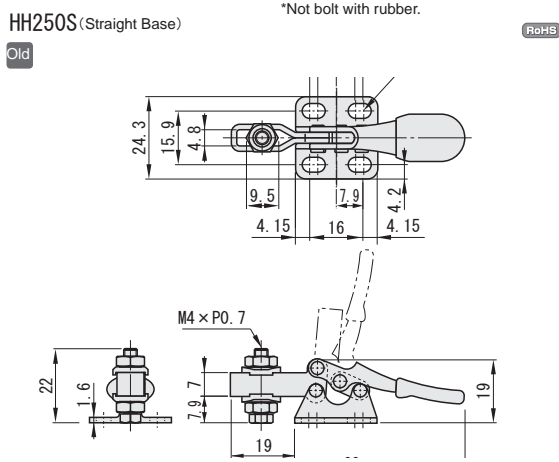
Part Number	HH150S	Open-Close Angle of Arm	95°
		Open-Close Angle of Handle	70°
Body Material	SS400	Mounting Bolt	M4
Surface Treatment	Trivalent Chromate	Fixing Pitch	11.2
Accessory	*Nylon Bolt	Suppress Pressure(N)	264.6
		Tare(g)	30
Unit Price Qty. 1-9	15.56		



Part Number	MC01-1S	Open-Close Angle of Arm	90°
		Open-Close Angle of Handle	75°
Body Material	SS400	Mounting Bolt	M4
Surface Treatment	Trivalent Chromate	Fixing Pitch	11.1
Accessory	*Nylon Bolt	Suppress Pressure(N)	264.6
		Tare(g)	30
Unit Price Qty. 1-19	12.51		



Part Number	HH250S	Open-Close Angle of Arm	95°
		Open-Close Angle of Handle	70°
Body Material	SS400	Mounting Bolt	M4
Surface Treatment	Trivalent Chromate	Fixing Pitch	11.2
Accessory	*Nylon Bolt	Suppress Pressure(N)	264.6
		Tare(g)	30
Unit Price Qty. 1-9	15.72		



Part Number	MC01-2S	Open-Close Angle of Arm	90°
		Open-Close Angle of Handle	75°
Body Material	SS400	Mounting Bolt	M4
Surface Treatment	Trivalent Chromate	Fixing Pitch	11.1
Accessory	*Nylon Bolt	Suppress Pressure(N)	264.6
		Tare(g)	35
Unit Price Qty. 1-19	12.67		

