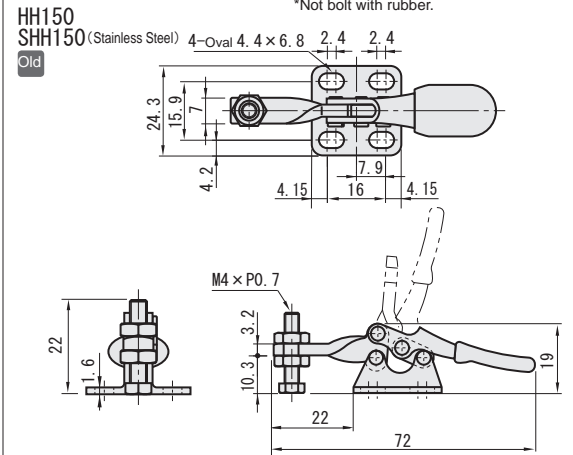
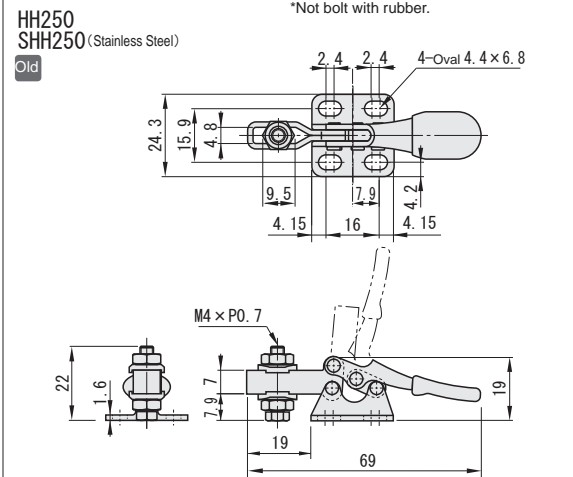


Bottom Holder/Horizontal Handle Type, Standard Handle

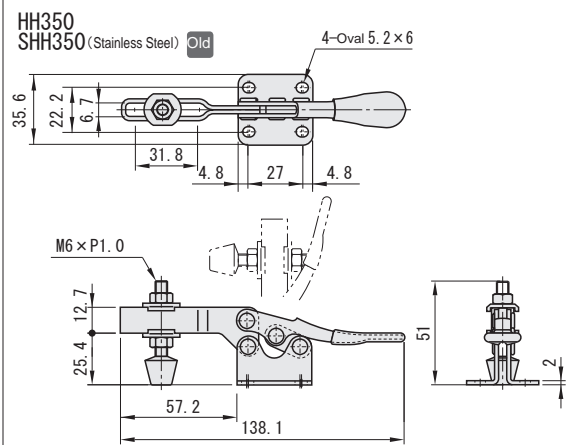
Part Number	HH150	SHH150	Open-Close Angle of Arm	95°
			Open-Close Angle of Handle	70°
Body Material	SS400	SUS304	Mounting Bolt	M4
Surface Treatment	Bright Chromate Plating	-	Fixing Pitch	15.9 × 16
Accessory	*Nylon Bolt	Stainless Steel Bolt	Suppress Pressure(N)	264.6
Unit Price Qty. 1-9	14.44	35.30	Tare(g)	30



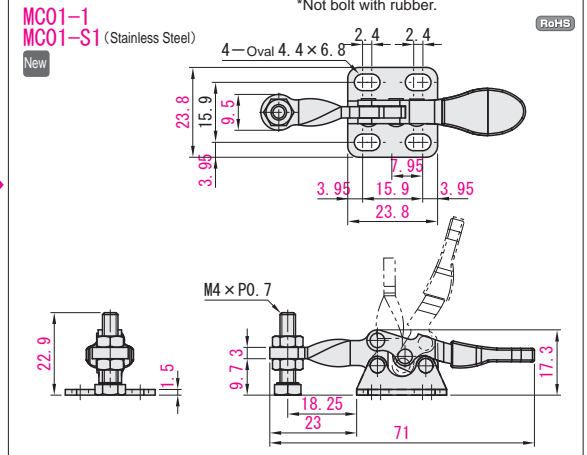
Part Number	HH250	SHH250	Open-Close Angle of Arm	95°
			Open-Close Angle of Handle	70°
Body Material	SS400	SUS304	Mounting Bolt	M4
Surface Treatment	Bright Chromate Plating	-	Fixing Pitch	15.9 × 16
Accessory	*Nylon Bolt	Stainless Steel Bolt	Suppress Pressure(N)	264.6
Unit Price Qty. 1-9	14.60	36.10	Tare(g)	30



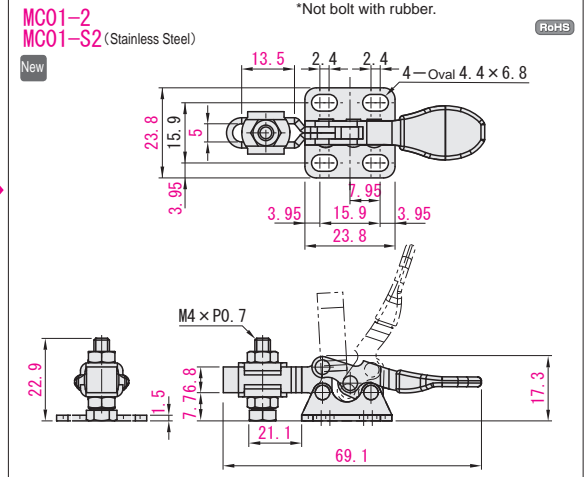
Part Number	HH350	SHH350	Open-Close Angle of Arm	90°
			Open-Close Angle of Handle	60°
Body Material	SS400	SUS304	Mounting Bolt	M5
Surface Treatment	Bright Chromate Plating	-	Fixing Pitch	22.2 × 27
Accessory	Bolt with Rubber Material NBR Hardness Shore A70	Stainless Steel Bolt	Suppress Pressure(N)	882
Unit Price Qty. 1-9	19.25	47.81	Tare(g)	120



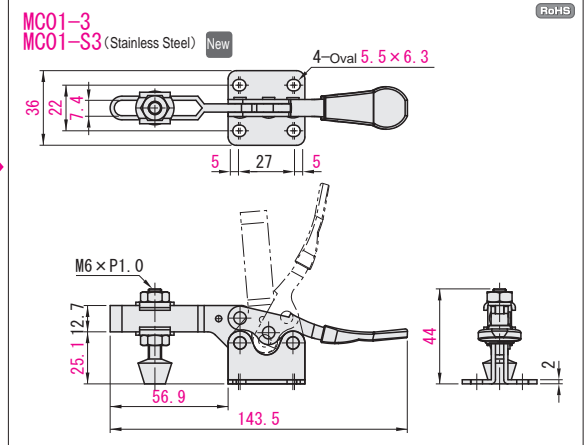
Part Number	MC01-1	MC01-S1	Open-Close Angle of Arm	90°
			Open-Close Angle of Handle	75°
Body Material	SS400	SUS304	Mounting Bolt	M4
Surface Treatment	Trivalent Chromate	-	Fixing Pitch	15.9 × 16
Accessory	*Nylon Bolt	Stainless Steel Bolt	Suppress Pressure(N)	264.6
Unit Price Qty. 1-19	11.55	28.24	Tare(g)	30



Part Number	MC01-2	MC01-S2	Open-Close Angle of Arm	90°
			Open-Close Angle of Handle	75°
Body Material	SS400	SUS304	Mounting Bolt	M4
Surface Treatment	Trivalent Chromate	-	Fixing Pitch	15.9 × 16
Accessory	*Nylon Bolt	Stainless Steel Bolt	Suppress Pressure(N)	264.6
Unit Price Qty. 1-19	11.71	28.88	Tare(g)	35



Part Number	MC01-3	MC01-S3	Open-Close Angle of Arm	85°
			Open-Close Angle of Handle	73°
Body Material	SS400	SUS304	Mounting Bolt	M5
Surface Treatment	Trivalent Chromate	-	Fixing Pitch	22 × 27
Accessory	Bolt with Rubber Material NBR Hardness Shore A70	Stainless Steel Bolt	Suppress Pressure(N)	882
Unit Price Qty. 1-19	15.40	38.35	Tare(g)	130



\*All prices are in S\$