

# STRIPPER GUIDE BUSHINGS

## OIL TYPE / OIL-FREE TYPE



Printed in Red

**Oil type** Use the stripper guide bushings at room temperatures (40°C or less).

**RoHS** **SGBD** (Devcon adhesive type)

SUJ2  
 S8HRC~  
 Urethane ring

D	Catalog No.		L	U/Price Q'ty : 1~9
	Type	d		
12	SGBD	8	10 13 16 20	Quotation
14		10	10 13 16 20 25	
18		13	13 16 20 25	
22		16	16 20 25 30	
25		20	20 25 30	
32		25	25 30 35	

Put the attached urethane ring to guide pin to prevent Devcon from dropping when adhering  
Urethane ring is not provided when LC alteration is required.

**RoHS** **SGBA** (Press fit type)

SUJ2  
 S8HRC~

Dn5	Catalog No.		L	U/Price Q'ty : 1~9
	Type	d		
12	SGBA	8	10 13 16 20	Quotation
14		10	10 13 16 20 25	
18		13	13 16 20 25	
22		16	16 20 25 30	
25		20	20 25 30	
32		25	25 30 35	

**RoHS** **SGBH** (Press fit type)

SUJ2  
 S8HRC~

Dm5	Catalog No.		L	U/Price Q'ty : 1~9
	Type	d		
12	SGBH	8	10 13 16 20	Quotation
14		10	10 13 16 20 22 25	
18		13	13 16 20 22 25 30 35	
22		16	13 16 20 22 25 30 35	
25		20	16 20 22 25 30 35	
32		25	20 22 25 30 35	

**RoHS** **SGBL** (Loctite adhesive type)

SUJ2  
 S8HRC~

Dh4	Catalog No.		L	U/Price Q'ty : 1~9
	Type	d		
12	SGBL	8	10 13 16 20	Quotation
14		10	10 13 16 20 22 25	
18		13	13 16 20 22 25 30 35	
22		16	13 16 20 22 25 30 35	
25		20	16 20 22 25 30 35	
32		25	20 22 25 30 35	

**RoHS** **SGBT** (Loctite adhesive type)

SUJ2  
 S8HRC~

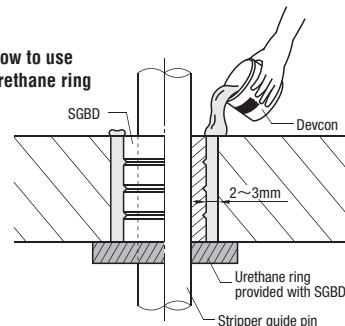
\*Number of outside diameter grooves : L ≤ 20 → 2  
L > 20 → 3

Dh4	Catalog No.		L	U/Price Q'ty : 1~9
	Type	d		
12	SGBT	8	10 13 16 20	Quotation
14		10	10 13 16 20 22 25	
18		13	13 16 20 22 25 30 35	
22		16	13 16 20 22 25 30 35	
25		20	16 20 22 25 30 35	
32		25	20 22 25 30 35	

**Dimensions of attached urethane ring SGBD**

Catalog No.	A	B
SGBD 8	8	
SGBD10	10	25
SGBD13	13	
SGBD16	16	35
SGBD20	20	
SGBD25	25	45

**How to use urethane ring**



**Copper alloy oil type** Use the stripper guide bushings at room temperatures (40°C or less).

**RoHS** **SGSF** (Loctite adhesive type)

SUJ2 + Copper alloy  
 45HRC

Dh4	Catalog No.		L	U/Price Q'ty : 1~9
	Type	d		
16	SGSF	10	10 13 16 20 22 25	Quotation
20		13	13 16 20 22 25 30	
24		16	16 20 22 25 30 35	
28		20	16 20 22 25 30 35	
32		25	20 22 25 30 35	

**RoHS** **SGBF** (Loctite adhesive type)

SUJ2 + Copper alloy  
 45HRC

Dh4	Catalog No.		L	U/Price Q'ty : 1~9
	Type	d		
16	SGBF	10	10 13 16 20 22 25	Quotation
20		13	13 16 20 22 25 30	
24		16	16 20 22 25 30 35	
28		20	16 20 22 25 30 35	
32		25	20 22 25 30 35	

**Oil-free type**

**RoHS** **SGBZ** (Loctite adhesive type)

FC250 MoS<sub>2</sub> (embedded)

Dh4	Catalog No.		L	U/Price Q'ty : 1~9
	Type	d		
13	SGBZ	8	10 13 16 20	Quotation
16		10	10 13 16 20 22 25	
20		13	13 16 20 22 25 30	
24		16	13 16 20 22 25 30 35	
28		20	16 20 22 25 30 35	
34		25	20 22 25 30 35	

**RoHS** **SGHZ** (Loctite adhesive type)

FC250 MoS<sub>2</sub> (embedded)

Dh4	Catalog No.		L	U/Price Q'ty : 1~9
	Type	d		
13	SGHZ	8	10 13 16 20	Quotation
16		10	10 13 16 20 22 25	
20		13	13 16 20 22 25 30	
24		16	13 16 20 22 25 30 35	
28		20	16 20 22 25 30 35	
34		25	20 22 25 30 35	

\* MoS<sub>2</sub> (Molybdenum disulfide) is a special solid lubricant which provides outstanding wear resistance.

**Order** Catalog No. — L  
**SGBH 10 — 16**  
 • Printed in Red • Printed in Blue

**Delivery** SGP Stock **3** Days

For area out of Singapore please refer to P.i.

**Alteration** Catalog No. — L(LC) **5** Days Express T Express A  
 SGBD 16 — LC22.0 For area out of Singapore please refer to P.i.

**Volume discount rate**

Quantity	1~9	10~49	50~99	100~200
Rate	—	5%	10%	15%

Alteration	Changes dimension L (full length)		Machines grooves for Loctite.																															
	Code	LC																																
Spec.	<ul style="list-style-type: none"> <li>• SGBD · SGBA · SGBL</li> <li>• SGBH · SGBT</li> </ul>	<ul style="list-style-type: none"> <li>• SGSF · SGBZ</li> <li>• SGBF · SGHZ</li> </ul>	Grooves for Loctite are machined on the outside diameter of bushing. Straight type/Head type * Number of grooves on the outside diameter. 8.0 ≤ L (LC) ≤ 15.9 → 1 16.0 ≤ L (LC) ≤ 24.9 → 2 25.0 ≤ L (LC) ≤ 35.0 → 3 * Not applicable to SGBD, SGBA, SGBH, SGBL and SGBT.																															
	* SGBD: Urethane ring is not provided when LC alteration is required. * Depending on the position of the solid lubricant, R may become large.	<table border="1"> <thead> <tr> <th>d</th> <th>LC</th> <th>Δ</th> </tr> </thead> <tbody> <tr> <td>8</td> <td>0.1mm increments</td> <td rowspan="6">-0.2</td> </tr> <tr> <td>10</td> <td>8.0 ≤ LC &lt; L</td> </tr> <tr> <td>13</td> <td>8.0 ≤ LC &lt; L</td> </tr> <tr> <td>16</td> <td>10.0 ≤ LC &lt; L</td> </tr> <tr> <td>20</td> <td>13.0 ≤ LC &lt; L</td> </tr> <tr> <td>25</td> <td>16.0 ≤ LC &lt; L</td> </tr> </tbody> </table>	d	LC	Δ	8	0.1mm increments	-0.2	10	8.0 ≤ LC < L	13	8.0 ≤ LC < L	16	10.0 ≤ LC < L	20	13.0 ≤ LC < L	25	16.0 ≤ LC < L	<table border="1"> <thead> <tr> <th>d</th> <th>LC</th> <th>Δ</th> </tr> </thead> <tbody> <tr> <td>8</td> <td>0.1mm increments</td> <td rowspan="6">-0.2</td> </tr> <tr> <td>10</td> <td>8.0 ≤ LC &lt; L</td> </tr> <tr> <td>13</td> <td>8.0 ≤ LC &lt; L</td> </tr> <tr> <td>16</td> <td>10.0 ≤ LC &lt; L</td> </tr> <tr> <td>20</td> <td>13.0 ≤ LC &lt; L</td> </tr> <tr> <td>25</td> <td>16.0 ≤ LC &lt; L</td> </tr> </tbody> </table>	d	LC	Δ	8	0.1mm increments	-0.2	10	8.0 ≤ LC < L	13	8.0 ≤ LC < L	16	10.0 ≤ LC < L	20	13.0 ≤ LC < L	25
d	LC	Δ																																
8	0.1mm increments	-0.2																																
10	8.0 ≤ LC < L																																	
13	8.0 ≤ LC < L																																	
16	10.0 ≤ LC < L																																	
20	13.0 ≤ LC < L																																	
25	16.0 ≤ LC < L																																	
d	LC	Δ																																
8	0.1mm increments	-0.2																																
10	8.0 ≤ LC < L																																	
13	8.0 ≤ LC < L																																	
16	10.0 ≤ LC < L																																	
20	13.0 ≤ LC < L																																	
25	16.0 ≤ LC < L																																	
Price	Quotation																																	

Stocks Availability Subjected to Prior Sales.