

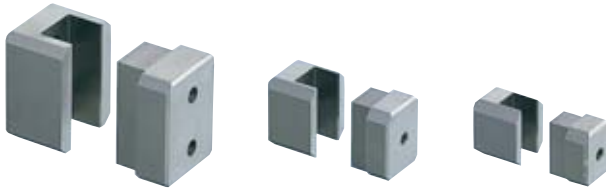
POSITIONING STRAIGHT BLOCK SETS

— PL INSTALLATION TYPE —



Printed in Red

RoHS

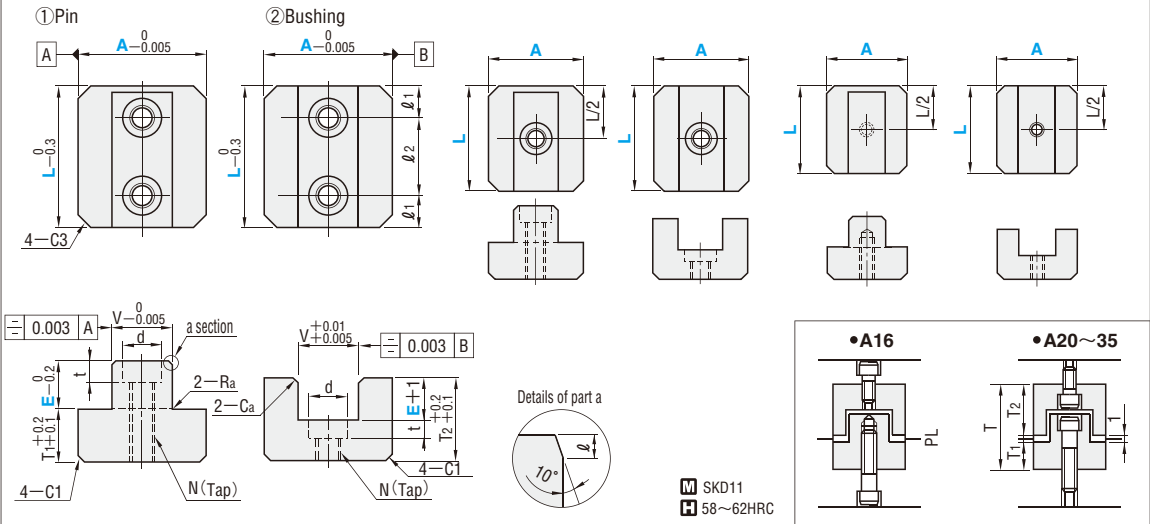


V		Positioning precision (Clearance)	V dimension symmetry against A/B plane
① Pin	② Bushing		
0 -0.005	+0.01 +0.005	0.005 0.015	0.003 or less

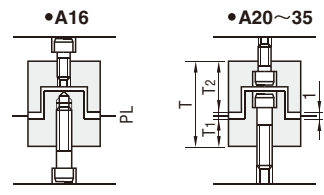
■ Mounting bolt hole: 2 (L30~50)

■ Mounting bolt hole: 1 (L25)

■ Mounting tap hole: 1 (L16~20)



SKD11
58~62HRC



V	T	T1	T2	ℓ	Ra	Ca	Bolt hole				Installation bolt	Tap N	No. of bolt holes	Catalog No.		L Selection	E	U/Price 1~9			
							ℓ1	ℓ2	d	t				Type	A						
9	26	8	17	1	0.5	0.5	—	—	—	M4 bolt	M4	1 (Tap hole)	TBSF	16	16	8	Quotation				
	30																	12			
	26																	17	8		
12	26	10	21	1	0.5	0.5	7.5	15	6.5	3.5	M3 bolt	1 (Tap hole)			TBSF	20		25	8	Quotation	
	30																				12
	26																				17
15	32	12	21	1	0.5	0.5	7.5	15	8	5	M4 bolt	1	TBSF	25			25	10	Quotation		
	37																				15
	32																				21
17	36	12	23	1	0.5	0.5	7.5	15	9.5	6	M5 bolt	2			TBSF	30	30	10		Quotation	
	44																				15
	36																				23
20	44	12	31	2	1	1	10	20	11	7	M6 bolt	2	TBSF	35			40	15	Quotation		
	41																				20
	51																				28
41	51	12	38	2	1	1	10	30	11	7	M6 bolt	2			TBSF	35	40	25		Quotation	
																					28
41	51	12	38	2	1	1	10	30	11	7	M6 bolt	2					TBSF	35			50
													28	15							



Order

Catalog No. — L — E
TBSF20 — 25 — 8

Printed in Red



Delivery

SGP Stock 5 Days

For area out of Singapore please refer to P.i.

Express A

■ Quantity discount rate

Quantity	1~9	10~19	20~29	30~50
Rate	—	5%	10%	15%

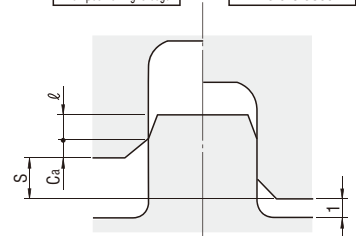
To be quoted on price & lead time above Max. QTY.

■ When using

When positioning is begun

When a convex side and a concave side knock against each other, it causes damage. Please open about 1mm and use it.

Mold closed



■ Characteristics

- Suitable for positioning in precision molds such as connectors and electronic devices.
- It is capable of preventing wear and damage in core pins since it can be positioned before core pins are inlaid on cavity.
- Use precision leader pins since clearance is fairly small.

E	S (Effective length max.)
8	5.5
10	7.5
12	9.5
15	11.0
20	16.0
25	21.0