

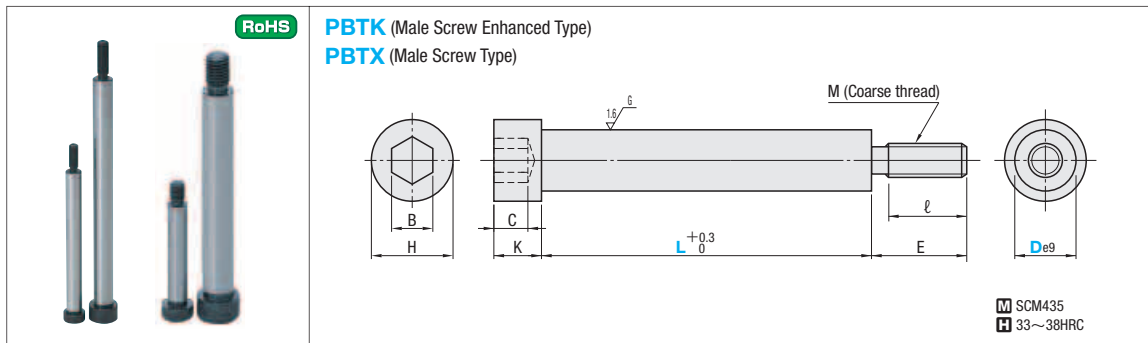
PULLER BOLTS

— MALE SCREW TYPE (Enhanced) —



PRINTED IN RED

The quantity discount rate is also applicable to alteration cost.
All price & lead time are to be quoted.



C	K		H	B	E	M		l	Part Number		L				U/Price for 1~9			
	PBTK	PBTK				PBTK	PBTK		Type	D	PBTK	PBTK	PBTK	PBTK				
4	8	8	16	6	19	M 8	M 6	17	PBTK (Male Screw Enhanced Type)	10	100	110	120					
													130	140	150			
4	10	8	18	8	22	M10	M 8	20	PBTK (Male Screw Enhanced Type)	13	100	110	120					
													130	140	150			
													160	170	180			
													190	200				
7	14	13	24	10	30	M12	M10	23	PBTK (Male Screw Enhanced Type)	16	100	110	120					
													130	140	150			
													160	170	180			
													190	200				
9	18	13	27	14	38	M16	M12	26	PBTK (Male Screw Type)	20	210	220	230	240	260			
													140	150				
													160	170	180			
													190	200				
10	19	18	33	17	44	M20	M16	32	PBTK (Male Screw Type)	25	210	220	230	240	250	260		
													280	300				
													170	180				
													190	200				
													210	220				
													230	240				
											250	260						
											280	300						
											320							
											350							

Quotation

⚠ PBTK • PBTK cannot be used in combination with PBTN.

Order Part Number **L**
PBTK20 — 160

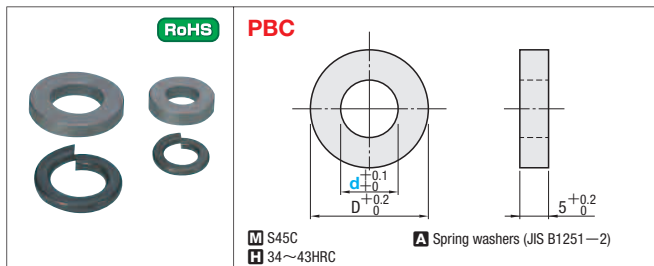
Delivery **3** Days **5** Days **Express A**

⚠ For area out of Singapore, please refer to P.i.

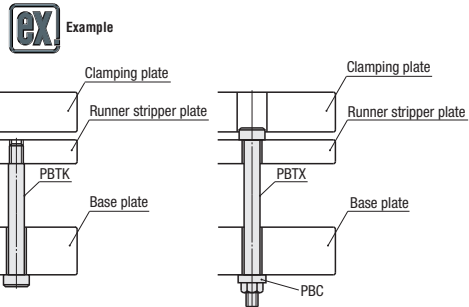
Quantity discount rate			
Quantity	1~9	10~19	20~49
Rate	—	5%	10%

⚠ To be quoted on price & lead time above Max. Q'ty.

Puller Bolt Collars



D	d	Applicable puller bolt dia.	Part Number		U/Price 1~9
			Type	d	
15	6	10	PBC	6	Quotation
18	8	13		8	
21	10	16		10	
25	12	20		12	
30	16	25		16	



Order Part Number **PBC8**

Delivery **3** Days

⚠ For area out of Singapore, please refer to P.i.

Quantity discount rate				
Quantity	1~9	10~19	20~49	50~100
Rate	—	5%	10%	15%

⚠ To be quoted on price & lead time above Max. Q'ty.

Stocks Availability Subjected to Prior Sales.