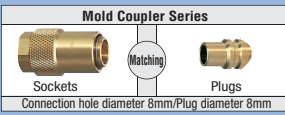


# MOLD COUPLERS

— SOCKETS — ~ HEAT-RESISTANT 80 °C 120 °C SERIES ~



Printed in Red

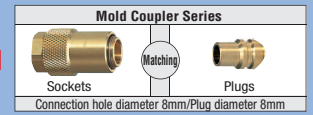


# MOLD COUPLERS

— PLUGS —

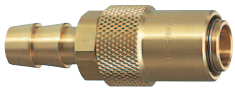
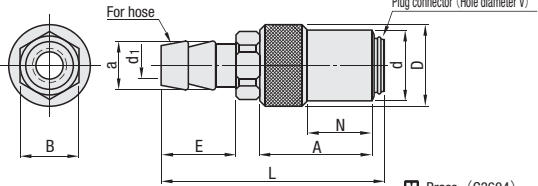

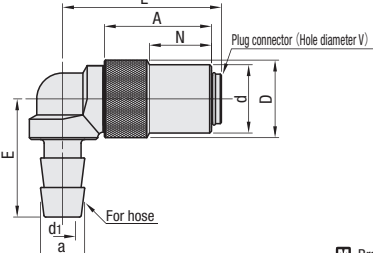

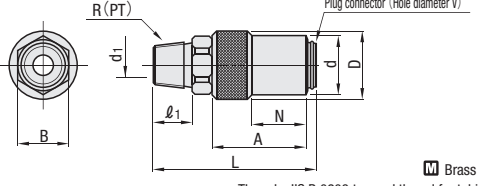

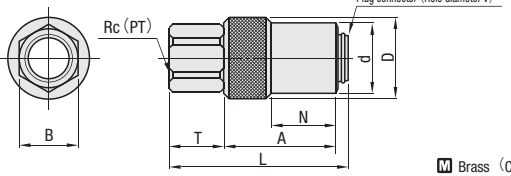


Printed in Red



The quantity discount rate is also applicable to alteration cost.  
All price & lead time are to be quoted.

The quantity discount rate is also applicable to alteration cost.  
All price & lead time are to be quoted.

 <p><b>RoHS</b></p>	<p>For hose</p> <p><b>KSH</b> (Heat-resistant 80°C • Standard) <b>KTSH</b> (Heat-resistant 80°C • No valve) <b>F120-KSH</b> (Heat-resistant 120°C • Standard)</p>  <p>Brass (C3604)</p>
 <p><b>RoHS</b></p>	<p>For hose (L-Shaped)</p> <p><b>F120-KSHL</b> (Heat-resistant 120°C • Standard)</p>  <p>Brass (C3604)</p>
 <p><b>RoHS</b></p>	<p>Female screw reception type</p> <p><b>KSM</b> (Heat-resistant 80°C • Standard) <b>KTSM</b> (Heat-resistant 80°C • No valve) <b>F120-KSM</b> (Heat-resistant 120°C • Standard)</p>  <p>Brass (C3604) Thread: JIS B 0203 tapered thread for tubing R (PT)</p> <p>⚠ KTSM doesn't correspond to RoHS.</p>
 <p><b>RoHS</b></p>	<p>Male screw reception type</p> <p><b>KFF</b> (Heat-resistant 80°C • Standard) <b>KTFF</b> (Heat-resistant 80°C • No valve) <b>F120-KFF</b> (Heat-resistant 120°C • Standard)</p>  <p>Brass (C3604) Thread: JIS B 0203 tapered thread for tubing Rc (PT)</p>

Matching Plug	Plug connection parts										Catalog No.		U/Price for 1~9								
	Hole diameter	d	D	A	N	L	Allen side B	For hose a	For hose E	Tapered male thread R (PT)	ℓ1	Tapered female thread Rc (PT)	T	Type	No.	1	2	3			
Mold Coupler Series Plug tip diameter V=8 Common to all sizes	8	18.5	21	29	16.8	67	5	17	8	29	—	—	—	For hose	2	—	—	—			
																			59	7	12
		43	5	8	—	32	—	—	—	—	—	—	—		For hose (L-Shaped)				2		
																				7	12
		8	18.5	21	29	16.8	51	17	—	1/4	13	—	—						—	Female screw reception type	2
	52		19	—	—	—	—	—	—	—	—	—	Male screw reception type	2							
																3					
	46.5		17	—	—	—	—	1/4	14.5	—	—	—		2							
															3						


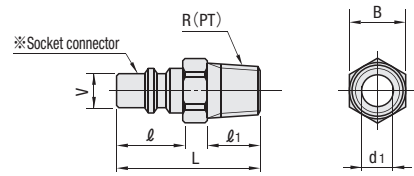

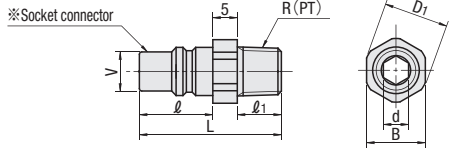
- Matching Plug : MISUMI's Mold Couplers KPM (Ex. KPM1) • JPSH (Ex. JPSH1) • JPS • LJPS • KPH • KPP • LSP  
Nitto's Mold Couplers K□□PM (Ex. K01PM) • K□□PH (Ex. K01PH) • K□□PF
- Matching Joint Plug Connections : Guide for socket
- Use in normal pressure 980kPa (10kgf/cm<sup>2</sup>) or lower. Keep water temperature under the allowable temperature.
- For KTSH, KTSM and KTFF, there is no automatic open/close valve. Please confirm the hydraulic pressure and water temperature before removing the socket. Guide for sockets • Plugs

	Order	Catalog No.	<b>KSH 2</b>
	Delivery	SGP Stock	<b>3</b> Days


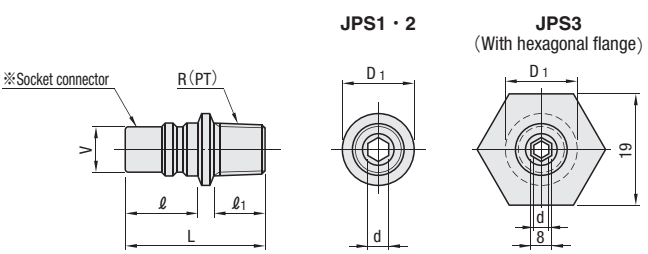

Quantity discount rate

Quantity	1~9	10~100
Rate	—	5%

Stocks Availability Subjected to Prior Sales.

 <p><b>RoHS</b></p>	<p><b>KPM</b> (Hexagonal head type)</p>  <p>Brass (C3604) Thread: JIS B 0203 tapered thread for tubing R (PT)</p>
 <p><b>RoHS</b></p>	<p><b>JPSH</b> (Hexagonal head • hole type)</p>  <p>Brass (C3604) Thread: JIS B 0203 tapered thread for tubing R (PT)</p> <p>⚠ Through hexagonal hole for wrenching.</p>

Matching Sockets	To be connected to a socket		L	D1	Allen side B	Inner dia. d1	Allen wrench hole ∅d	Tapered thread R (PT)	ℓ1	Catalog No.		U/Price 1~9
	V	ℓ								Type	No.	
Mold Coupler Series Socket tip diameter V=8 Common to all sizes	8	15	31	—	12	5.5	—	1/8	10	With hexagonal head	1	Quotation
			34		14			1/4	13			
	35	19	3/8	14								
	8	15	29	(13.5)	12	—	∅5	1/8	9	With hexagonal head/hole	1	
31			(15.5)	14	1/4			11	JPSH (Brass)			2

 <p><b>RoHS</b></p>	<p><b>JPS</b> (Hexagonal hole type)</p>  <p>Brass (C3604) Thread: JIS B 0203 tapered thread for tubing R (PT)</p> <p>⚠ Through hexagonal hole for wrenching.</p>
 <p><b>RoHS</b></p>	

Matching Sockets	To be connected to a socket		L	D1	Allen wrench hole ∅d	Tapered thread R (PT)	ℓ1	Catalog No.		U/Price 1~9
	V	ℓ						Type	No.	
Mold Coupler Series Socket tip diameter V=8 Common to all sizes	8	15	27	13	∅5	1/8	9	Hexagonal hole type	1	Quotation
			29	14		1/4	11			
			37	13		3/8	12			

- Matching Sockets : MISUMI's mold coupler KSH (Ex. KSH2) • KTSH • KSM (Ex. KSM2) • KTSM • KFF • KTFF • F120-KSH • F120-KSM • F120-KFF • F120-KSHL  
Nitto's Mold Couplers K□□SH (Ex. K02SH) • K□□TSH • K□□SM (Ex. K02SM) • K□□TSM • K□□SF • K□□TSF • K□□SHL
- Matching Joint Plug Connections : Guide for sockets • Plugs
- Use in normal pressure 980kPa (10kgf/cm<sup>2</sup>) or lower.

	Order	Catalog No.	<b>KPM 1</b> <b>JPSH2</b> <b>JPS 2</b>
	Delivery	SGP Stock	<b>3</b> Days

Quantity discount rate

Quantity	1~9	10~199	200~399	400~500
Rate	—	5%	10%	15%

Stocks Availability Subjected to Prior Sales.