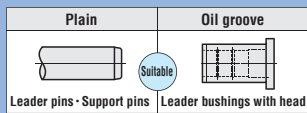


LEADER BUSHINGS

—HEAD TYPE WITH OIL GROOVE—



Printed in Red



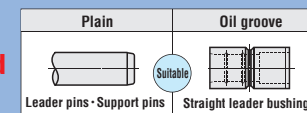
The quantity discount rate is also applicable to alteration cost.
All price & lead time are to be quoted.

LEADER BUSHINGS

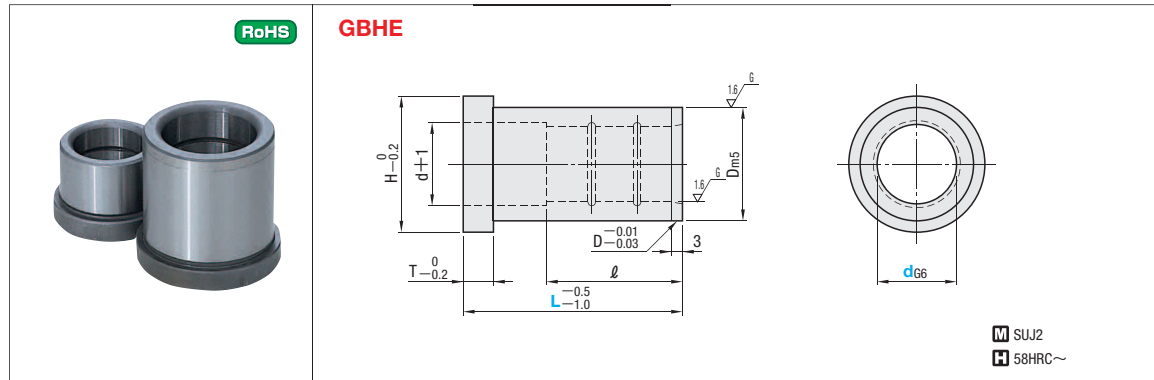
—STRAIGHT TYPE WITH OIL GROOVE—



Printed in Red



The quantity discount rate is also applicable to alteration cost.
All price & lead time are to be quoted.



dG6	T	Dms	H	ℓ																					
				L15	L20	L25	L30	L35	L40	L45	L50	L60	L70	L80	L90	L100	L110	L120	L130	L140	L150				
8	+0.014	12	14	15	15	15	—	—	—	—	—	—	—	—	—	—	—	—	—	—	—	—	—	—	—
10	+0.005	5	16	15	20	20	20	20	20	—	—	—	—	—	—	—	—	—	—	—	—	—	—	—	—
12	+0.017	18	22	15	20	25	25	25	25	—	—	—	—	—	—	—	—	—	—	—	—	—	—	—	—
13	+0.006	20	25	15	20	25	25	25	25	—	—	—	—	—	—	—	—	—	—	—	—	—	—	—	—
16	+0.017	6	30	15	20	25	30	35	30	30	30	—	—	—	—	—	—	—	—	—	—	—	—	—	—
20	+0.006	25	35	20	25	30	35	40	40	40	40	40	40	40	—	—	—	—	—	—	—	—	—	—	—
25	+0.020	35	40	20	25	30	35	40	45	50	50	50	50	50	50	50	50	50	50	50	—	—	—	—	—
28	+0.007	40	45	25	30	35	40	45	50	56	56	56	—	—	—	—	—	—	—	—	—	—	—	—	—
30	+0.007	42	47	25	30	35	40	45	50	60	60	60	60	60	60	60	60	60	60	60	—	—	—	—	—
32	+0.009	45	50	25	30	35	40	45	50	60	60	60	60	60	60	60	60	60	60	60	—	—	—	—	—
35	+0.025	48	54	30	35	40	—	—	50	60	70	70	70	70	70	70	70	70	70	70	—	—	—	—	—
36	+0.009	50	55	30	35	40	—	—	50	60	70	70	—	—	—	—	—	—	—	—	—	—	—	—	—
40	+0.009	10	60	30	35	40	45	50	60	70	80	80	80	80	80	80	80	80	80	80	—	—	—	—	—
50	+0.029	12	75	—	—	—	—	—	40	45	50	60	70	80	90	100	100	100	100	100	100	100	100	100	100
60	+0.010	80	86	—	—	—	—	—	—	—	60	70	80	90	100	110	120	120	120	120	120	120	120	120	120

Catalog No.	Type	d	U/Price for 1~9																							
			L15	L20	L25	L30	L35	L40	L45	L50	L60	L70	L80	L90	L100	L110	L120	L130	L140	L150						
8																										
10																										
12																										
13																										
16																										
20																										
25																										
28	GBHE																									
30																										
32																										
35																										
36																										
40																										
50																										
60																										

Use GBHE d=36 as the bushing for support pin plain type (SPP, SPPZ, SPPZ—XL (D=36)).

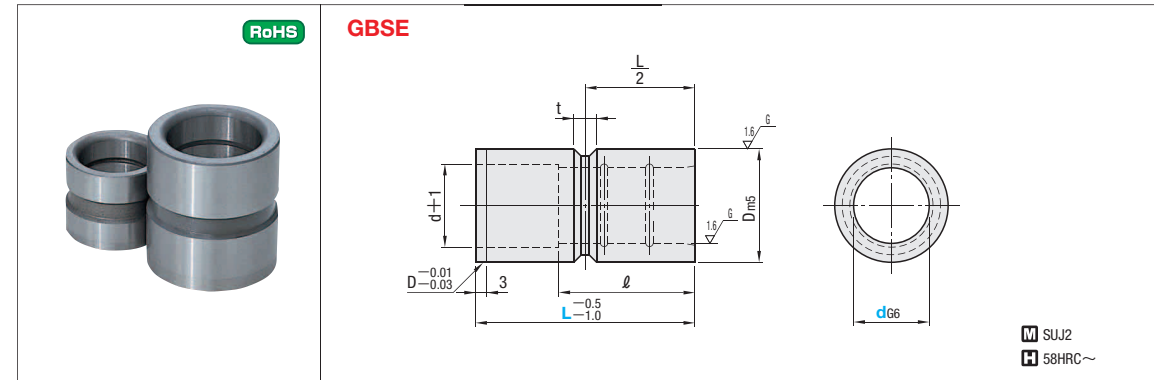
Order Catalog No. — L
GBHE13 — 40

Quantity discount rate				
Quantity	1~9	10~19	20~29	30~50
Rate	—	5%	10%	15%

Printed in Red • Printed in Black
Delivery SGP Stock 5 Days

For area out of Singapore please refer to P.i.

Stocks Availability Subjected to Prior Sales.



dG6	t	Dms	ℓ																						
			L10	L15	L20	L25	L30	L35	L40	L45	L50	L60	L70	L80	L90	L100	L110	L120							
8	+0.014	12	10	15	15	15	—	—	—	—	—	—	—	—	—	—	—	—	—	—	—	—	—	—	—
10	+0.005	6	10	15	20	20	20	20	—	—	—	—	—	—	—	—	—	—	—	—	—	—	—	—	—
12	+0.017	18	10	15	20	25	25	25	25	—	—	—	—	—	—	—	—	—	—	—	—	—	—	—	—
13	+0.006	20	10	15	20	25	25	25	25	—	—	—	—	—	—	—	—	—	—	—	—	—	—	—	—
16	+0.006	25	10	15	20	25	30	35	30	30	30	—	—	—	—	—	—	—	—	—	—	—	—	—	—
20	+0.008	30	10	15	20	25	30	35	40	40	40	40	40	40	—	—	—	—	—	—	—	—	—	—	—
25	+0.020	35	15	20	25	30	35	40	45	50	50	50	50	50	50	50	50	50	50	50	—	—	—	—	—
28	+0.007	40	20	25	30	35	40	45	50	56	56	56	—	—	—	—	—	—	—	—	—	—	—	—	—
30	+0.009	42	20	25	30	35	40	45	50	60	60	60	60	60	60	60	60	60	60	60	—	—	—	—	—
32	+0.009	45	20	25	30	35	40	45	50	60	60	60	60	60	60	60	60	60	60	60	—	—	—	—	—
35	+0.025	48	25	30	35	40	—	—	50	60	70	70	70	70	70	70	70	70	70	70	—	—	—	—	—
36	+0.009	50	25	30	—	40	—	—	50	60	—	—	—	—	—	—	—	—	—	—	—	—	—	—	—
40	+0.009	55	25	30	35	40	45	50	60	70	80	80	80	80	80	80	80	80	80	80	80	80	80	80	80
50	+0.029	70	—	—	—	—	—	—	30	35	40	45	50	60	70	80	90	100	100	100	100	100	100	100	100
60	+0.010	80	—	—	—	—	—	—	—	—	50	60	70	80	90	100	110	120	120	120	120	120	120	120	120

Catalog No.	Type	d	U/Price for 1~9																								
			L10	L15	L20	L25	L30	L35	L40	L45	L50	L60	L70	L80	L90	L100	L110	L120									
8																											
10																											
12																											
13																											
16																											
20																											
25																											
28	GBSE																										
30																											
32																											
35																											
36																											
40																											
50																											
60																											

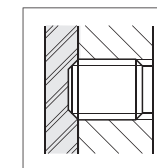
Use GBSE d=36 as the bushing for support pin plain type (SPP, SPPZ, SPPZ—XL (D=36)).

Order Catalog No. — L
GBSE32 — 80

Printed in Red • Printed in Black
Delivery SGP Stock 5 Days

For area out of Singapore please refer to P.i.

Quantity discount rate				
Quantity	1~9	10~19	20~29	30~50
Rate	—	5%	10%	15%



Stopper for The Straight Leader Bushing

Screw plugs are commonly used as a stopper to hold down straight leader bushings. The bushing is provided with a groove on its outer circumference where the screw plug is locked in. Since the screw plug does not directly hold the bushing's thin wall, deflection of its internal diameter can be minimized. When L=10 (d=8~20) or L=15 (d=25), screw plug is the value in ().

Leader bushing's internal diameter (d)	Applicable screw plugs
8~20	MSW 6(4)
25~60	MSW 8(6)

Stocks Availability Subjected to Prior Sales.