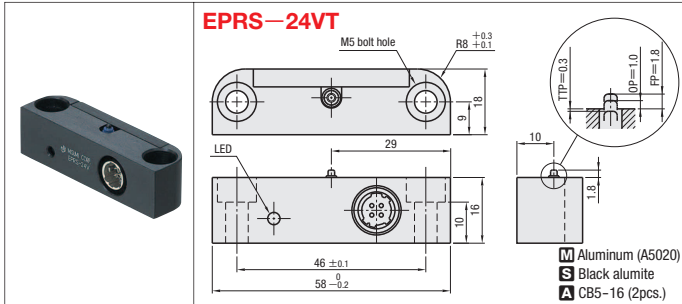


# CABLES FOR EJECTOR PLATE RETURN DETECTION SWITCH



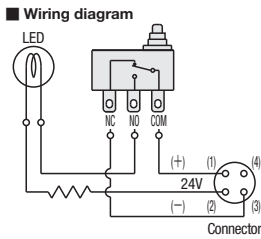
PRINTED IN RED

The switch position is 29mm from right end. Please make sure before ordering.



- Features**
- Easy to mount. The ejector plate return detection switch can be mounted by pocket added on the movable mold plate, which does not require complicated wiring process.
  - Reduces time for mold replacement. The connector can be removed by only pulling the connecting sleeve. (one-touch function)
  - LED turns red when the ejector plate returns.
  - Ensures damage-free structure at the time of transfer/maintenance as the switch does not fall out of the mold.
- Notes**
- To prevent damage, do not overstroke the micro-switches.

EPRS-24VT	
Rated voltage	DC24V 1A
Circumferential temperature to be used	-40~85°C
Force needed to start	0.75N
Return force	0.10N
Free position	FP 1.8mm
Operation point	OP 1.0 ± 0.2mm
Operating point limit	TTP -0.3mm
Micro switch (manufactured by OMRON)	
Model	D2HW-BR201H
Receptacle (manufactured by HIROSE)	
Model	HR10A-7R-4P



The quantity discount rate is also applicable to alteration cost. All price & lead time are to be quoted.

Part Number	U/Price
	1~9
<b>EPRS-24VT</b>	<b>Quotation</b>

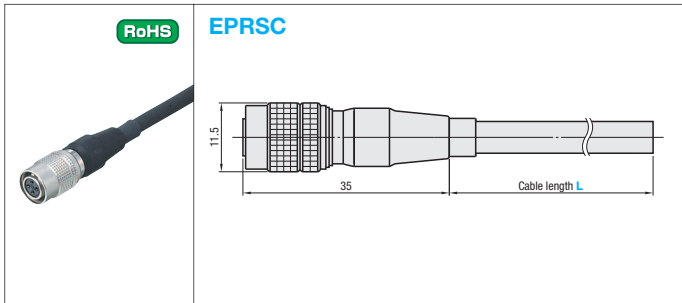
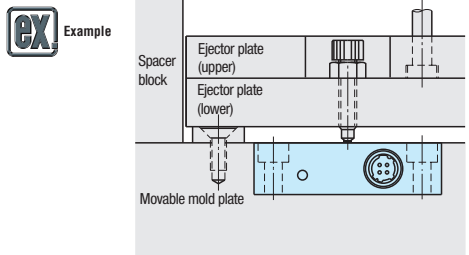
**Order** Part Number: **EPRS-24VT**

**Delivery** **Printed in Red** • **Printed in Blue**  
SGP Stock **3** Days

For area out of Singapore, please refer to P.i.

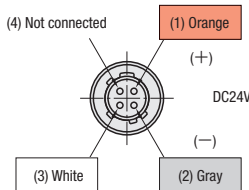
**Quantity discount rate**

Quantity	1~9	10~19	20~49	50~100
Rate	-	5%	10%	15%



- Features**
- Reduces time for mold replacement. The connector can be removed by only pulling the connecting sleeve. (one-touch function)
  - Oil-resistant/heat-resistant/flexible material is used for the cable, which has passed flame-resistant tests of UL/AW-1/C-UL/FT1.
- Notes**
- EPRSC is the cable exclusively used for The ejector plate return detection switch (EPRS-24VT). Do not use it for other purposes.
  - The number of the core of the connector is 4. However, 3-conductor cable is used.

Connection wiring diagram (a view from the connector joint)



Connector (manufactured by HIROSE)	
Model	HR10A-7P-4S
Cable	
Model	UL2464TA
AWG size	24
No. of core	3
Outer diameter of core	1.15mm
Temperature to be used	0~80°C
Outer diameter	4.4mm

Part Number	L	U/Price
	100mm increments	1~9
<b>EPRSC</b>	<b>500~8000</b>	<b>Quotation</b>

**Order** Part Number: **EPRSC** - L - 3000

**Delivery** **3** Days

For area out of Singapore, please refer to P.i.

**Quantity discount rate**

Quantity	1~9	10~19	20~49	50~
Rate	-	5%	10%	15%

**Alterations** Part Number: **EPRSC** - L - (FC3) - 3000 - FC3

Alteration	Code	Spec.	1Code
	FC3	Fit the Y-shaped crimping terminal to the cable.	<b>Quotation</b>

**How to attach/detach the connector**

Hold the rubber and align it with the guide of the receptacle and plug it in.

Hold the connecting sleeve of the connector, and pull it out.

Stocks Availability Subjected to Prior Sales.