


BOLTS FOR EJECTOR PLATE SET



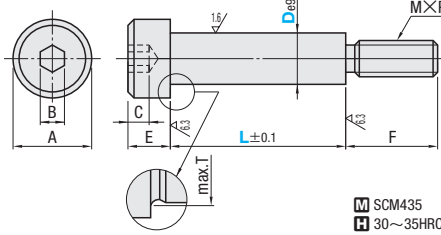
PRINTED IN RED

The quantity discount rate is also applicable to alteration cost.
All price & lead time are to be quoted.



RoHS

EPB



M SCM435
H 30~35HRC (Strength rank 10.9)
S Black Oxide (Only the head)

De9		A	B	C	E	F	M×P	T
10	$-\begin{smallmatrix} 0.025 \\ 0.061 \end{smallmatrix}$	16	6	4	8	16	M 8×1.25	10.8
13	$-\begin{smallmatrix} 0.032 \\ 0.075 \end{smallmatrix}$	18	8	5	10	20	M10×1.5	14
16		24	10	7	14	24	M12×1.75	17
20	$-\begin{smallmatrix} 0.040 \\ 0.092 \end{smallmatrix}$	27	14	9	18	32	M16×2.0	21
25		33	17	11	19	40	M20×2.5	26

Part Number	Type	D	L													U/Price	Slide Unit Price		
																1~19	20~49		
EPB	10		31	36	41	46	51	56	61										
	13		31	36	41	46	51	56	61	66	71								
	16				51	56	61	66	71	76	81	91	101	111	121	131			
	20					61	66	71	76	81	91	101	111	121	131	141			
	25															121	131	141	151

Quotation

⚠ No knurling on the head.



Order **Part Number** — **L**
EPB10 — 51

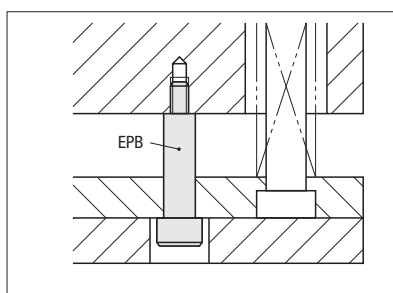


Delivery ● Printed in Red ● Printed in Blue
SGP Stock 3 Days

⚠ For area out of Singapore, please refer to Pi.



- Example**
- Use when pushing up and fixing the ejector plate such as when setting or replacing the ejector pin.
 - The L dimension is a 5mm unit + 1mm to conform to the 5mm step space. Consequently, it is possible to install the die on the molding machine without creating a counterbore on the top of the ejector plate.
 - The threaded part (F dimension) is long, enabling the ejector plate to be set easily without being subjected to the spring load.



■ Size F comparison table

D	M×P	F	
		EPB	Shoulder Bolt MSB · MSBL
10	M 8×1.25	16	12
13	M10×1.5	20	16
16	M12×1.75	24	18
20	M16×2.0	32	24
25	M20×2.5	40	30