


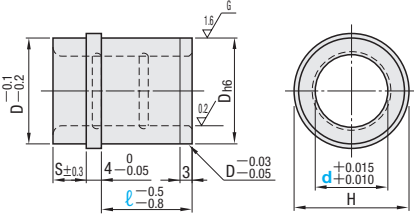

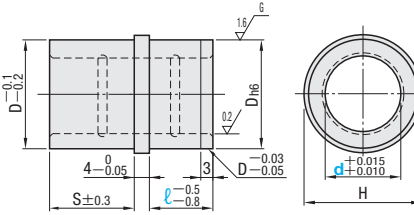

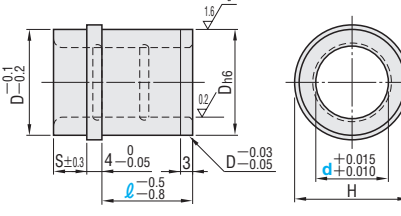
EJECTOR LEADER BUSHINGS

—PLAIN / LONG S DIMENSION TYPE / THIN WALL • TOTAL LENGTH SHORT TYPE—



PRINTED IN RED

The quantity discount rate is also applicable to alteration cost.
All price & lead time are to be quoted.

	<p>RoHS</p> <p>EGBH (Plain type)</p>  <p>M SUJ2 H 58HRC~</p>
	<p>RoHS</p> <p>EGBN (Long S dimension type)</p>  <p>M SUJ2 H 58HRC~</p>
	<p>RoHS</p> <p>EGBX (Thin-wall • Total length short type)</p>  <p>M SUJ2(52100) H 58HRC~</p>

S	H	D _{h6}	Part Number		ℓ
			Type	d	
8	19	16	0	EGBH	8 10 13
					15
8	21	18	-0.011	EGBH	10 10 13
					15 20
10	23	20	0	EGBH	12 10 13
10	25	22	0		10 13 15
10	28	25	-0.013	EGBH	13 20 25
					16 20 25
10	33	30	0	EGBH	20 10 13 15
					20 25 30
10	38	35	0	EGBH	25 13 15
					20 25 30
15	43	40	0	EGBH	30 13 15 20 25 30
15	45	42	-0.016		32 15 20 25 30
20	48	45	0	EGBH	35 20 25 30
20	55	52	0		40 20 25 30
20	65	62	-0.019	EGBH	50 25 30

S	H	D _{h6}	Part Number		ℓ
			Type	d	
25	22	22	0	EGBN	13 10
					15 20
28	25	25	-0.013	EGBN	16 10
					15 20
33	30	30	0	EGBN	20 10 15
					20 25
38	35	35	0	EGBN	25 10
					15 20 25
43	40	40	0	EGBN	30 20 25 30
					32 20 25 30
45	42	42	-0.016	EGBN	35 20 25 30
					40 20 25 30
48	45	45	0	EGBN	40 20 25 30
					50 20 25 30
65	62	62	-0.019	EGBN	50 20 25 30

S	H	D _{h6}	Part Number		ℓ
			Type	d	
6	13	10	0	EGBX	6 6 8
8	15	12	-0.006		8 8 10
8	18	15	0	EGBX	10 8 10
					13 13
10	21	18	-0.008	EGBX	10 10 13



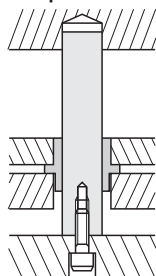
Part Number	ℓ
EGBH8	10
EGBN13	10
EGBX6	6



● Printed in Red ● Printed in Blue
 SGP Stock **3** Days Express T
 Express A



Example of EGBH Usage

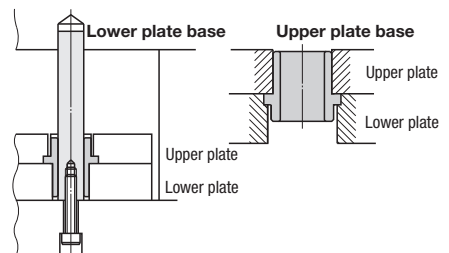


Quantity discount rate

Quantity	1~9	10~19	20~29	30~50
Rate	—	5%	10%	15%

Example of EGBN Usage

To use in commercial mold base, there are two ways—whether to make the counterbore on the upper or lower plate. In contrast to the short guide type EGBH ejector leader bushings, EGBN and EGBNZ/EGBZ/EGBSK (P.976) provide a longer leading distance regardless of which plate the counterbore is based.



Stocks Availability Subjected to Prior Sales.