

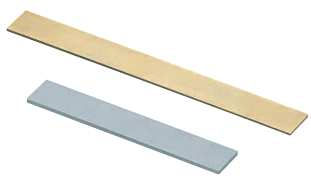
BAFFLE BOARDS

—BLANK TYPE—



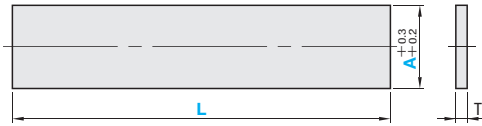
Printed in Red

The volume discount rate is also applicable to alteration cost. All price & lead time are to be quoted.



| Catalog No. | M |
|-------------|-------------------|
| BFP | Brass (C3604) |
| BFAP | Aluminum (A5052P) |

—Blank type—



| T | Catalog No. | | L (Selection) |
|-----|--------------------|----|---------------|
| | Type | A | |
| 1.5 | BFP (Brass) | 6 | 50 |
| | | 8 | 100 |
| | | 10 | 150 |
| | | 12 | 200 |
| 2.0 | BFP (Brass) | 14 | 50 |
| | | 16 | |
| | | 18 | |
| | | 20 | |
| 3.0 | BFAP (Aluminum) | 22 | 100 |
| | | 24 | 150 |
| | | 25 | 200 |
| | | 28 | 250 |
| | | 30 | 300 |
| | | 35 | |



Order



Delivery

Catalog No. — L
BFAP 10 — 100

• Printed in Red • Printed in Blue
 SGP Stock 3 Days

☎ For area out of Singapore please refer to P.i.

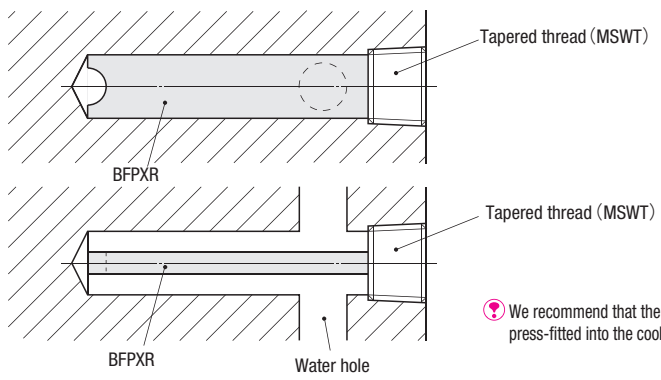
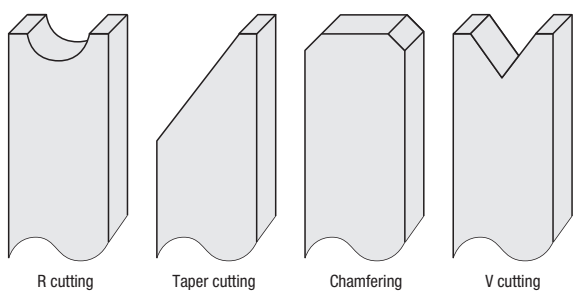
Quantity discount rate

| Quantity | 1~9 | 10~49 | 50~99 | 100~200 |
|----------|-----|-------|-------|---------|
| Rate | — | 5% | 10% | 15% |

| Catalog No. | | U/Price for 1~9 | | | |
|-------------|-------|------------------|----------|------|------|
| Type | A | L50~100 | L150~200 | L250 | L300 |
| BFP | 6~10 | | | — | — |
| | 12~25 | Quotation | | | |
| | 28~35 | | | | |
| BFAP | 6~10 | | | — | — |
| | 12~25 | | | | |
| | 28~35 | | | | |



Example • Example of baffle board processing



☎ We recommend that the baffle board be lightly press-fitted into the cooling hole to prevent rotating.

Stocks Availability Subjected to Prior Sales.